



To: Prospective Bidders

From: Will Mastin
City of Mobile Architectural Engineering Department

Re: Mims Park – Athletic Restrooms and Concessions
Project #PR-048-24B

Date: October 28, 2024

This Addendum forms a part of, and modifies, the Request for Bids, for the above referenced project, dated October 16, 2024. Acknowledge the receipt of this Addendum No. 2, and all subsequent addenda, in the space provided on the Bid Form. Failure to do so may subject Bidder to disqualification.

General:

Clarifications:

Item 1. Pre-Bid Meeting Agenda *with Modifications* and Pre-Bid Meeting Acknowledgment Roster, dated October 22 , 2024 are attached and form part of Addendum No. 2. Revisions to the Pre-Bid Agenda are indicated with a strike-through for deletions and ***bold italic*** typeface for additions.

Item 2. The project manual states “Bidders are required to participate in the Pre-Bid Conference” as mandatory. However, this was not a mandatory Pre-Bid Conference for interested bidders. The public advertisement previously posted in the Call for Bids did not specify that the pre-Bid Conference was mandatory – per the posted Call for Bids:

“A pre-bid conference shall be held on Wednesday, October 23, 2024 at the site. Meet at the site of existing restroom and concession stand near field B. This project is Tax Exempt.”

- Item 3. Bid Form – The Bid Form from the Project Manual, dated 10/16/24, is to be replaced by the updated Bid Form, dated 10/28/24, attached to this Addendum.
- Item 4: If Additive Alternate #1 is not selected, base shall be painted the same color as CMU wall where CMU wall occurs. Where gypsum board wall occurs, wall shall have 4” vinyl base, standard selection.
- Item 5: Additive Alternate #1 shall include resinous flooring to be provided and installed, per specifications, in lieu of sealant on concrete floors. This shall only be in the toilet rooms, concession, and storage room. Flooring shall extend 6”-8” up continuously on wall for base.
- Item 6: Additive Alternate #5 shall include FRP wall covering up to 48” as shown on drawings. Base bid shall be painted CMU finish only.
- Item 7: All CMU block shall be painted, not stained. Paint shall be per specifications.

Drawings:

- Item 1. – See the attached revised Bid Form – this revised Bid Form shall be used in place of the Bid Form included in the Project Manual.

Pre-Bid Submittals:

- Item 1. – Electrical Package attached, as noted.

RFI's:

Q: Will this project be subject to the Federal Certified Payroll requirements as stated in the project manual Section 00100- Article 14?

A: No – This is not a Federally funded project and as such this article (titled “Federal Conditions”) from Section 00100 – Article 14 is not applicable to this project.

Q: Are there any associated Fees such as Tap, Land Disturbance, etc.?

A1 : The contractor is to include the required land disturbance permit in his/her bid. The ADEM, AEPACS permit fees have been paid by the City of Mobile. All AEPACS required CBMPP materials and labor are to be provided by the contractor.

A2: Electrically, there will be Alabama Power Company fees that will need to be included in the contractors bid (for the base bid and the alternate). The contractor is to contact APCO for those fees.

Q: On sheet D100, D102 references "Demo Existing Building". There are two structures on the site, are we to demo both?

A: Only the building within the demo area is to be removed.

Q: Also, will as-built drawings be made available for those buildings to be demolished?

A: No, the contractor is to familiarize him/herself with the existing site structure and conditions.

Q: The project manual indicates the working hours as Monday to Friday 7:30 -4:30 PM, dawn until dusk, and 24/7. Which is correct?

A: Dawn until dusk.

Q: Add Alternates differ between the Bid Form, E4.0, and Schedule of Alternates. Which is correct?

A: Alternates are updated on the attached bid form. Contractor shall use the revised Bid form as the schedule of alternates.

Q: There are no Specification Sections for Mechanical, Plumbing, or Electrical. Will there be an addendum to add those specifications?

A: All MEP specs are included in the drawings for Mechanical, Electrical, & Plumbing. Electrical specifications are located on the drawings on sheet E1.0.

A: There will not be an addendum to add these specifications, they are included on the drawings.

Q: What is the AE Estimate?

A: The estimate range is approximately 1-1.5M.

Q: Is there a detail for the 2 baby changing stations? Are they a pre-fabricated top?

A: Baby changing tables shall be fixed counters shown in 2/A6.3 with Koala Kare KB112-01CT or equal mounted to it.

Q: Door/Window Schedule (A5.1) does not indicate glazing type required for ASF Elevation S1. Please advise.

A: Clerestory window S1 in central breezeway shall be 9/16" uninsulated large missile impact glass with gray tint.

Q: Please confirm glazing type for transaction window (C3) at concession.

A: Clear ¼" tempered glass may be used in the concession window.

Q: Tint color for all glazing types is not provided on drawing pages or specifications. Please advise.

A: S1 tinting equal to Solarban 70 with a Gray tint. Concession window to be clear.

Q: Section 084313 has multiple systems and is contradictory to the plan details (curtain wall, flush glaze, center glazed, front glazed). Please provide a basis of design with manufacturer and model number for the two S1 storefronts as well as a finish type (kynar, painted, fluoropolymer, or anodized).

A: Basis of design is Kawneer 350IR with an anodized finish

Q: Section 085659 lists several different window types. CM-1 is a bifold window, PW-3 is a three-sided bifold window, and PW-4 is a taller three-sided bifold window. The plans call for a horizontal slider. Specs call for ¼” clear tempered and ¼” tinted tempered. The windows and glass specified are not large missile impact. Sheet A1 references details 1/A6.4 for mulling the two transaction windows together and three is no A6.4. Please also provide finish type for these windows and clarifications and details.

A: Refer to drawings for window types. Delete references to window types in the specification. Delete reference to A6.4. Provide 8’ horizontal sliding concession window with fixed center and operable ends panels.

Q: “M” Signage, No Signage information is listed on the drawings – only Aluminum City of Mobile Signage and No signage information is listed in the specs. Is this signage by others? Or part of the Signage scope of this project? If so can we get more information to be able to quote this for you?

A: City of Mobile “M” signage is part of this package. Design dimensions and colors will be provided to awarded contractor. Basis of design, aluminum Gemini logo with factory finish paint.

Q: Cast Aluminum Letters. Do we know what type of Finish is being requested? Anodized or Painted? Will these be Stud Mounted Letters or Need Spacers? The Location on the Drawings will have Studs fall outside of the Molding and may need spacers.

A: Cast letters to be factory painted (Color TBD from manufacturer’s standard range) with 1” spacers.

Q: ADA Signage

A: Signs shall be a minimum 1/8” thick two color acrylic sign with raised (minimum 1/32) letters and braille. Mechanically fasten to block wall at locations indicated.

Q: The plumbing fixture schedule calls for floor mounted bottom outlet toilets and the drawing shows carrier mounted toilets,

A: As a clarification, the water closets specified for P-1 and P-1A shown on the plans as floor mounted type shall be changed to wall hung type. The water closets for P-1 and P-1A shall be elongated bowl, wall hung, top spud type equal to Kohler model K-84325-SS with a Sloan Royal, 1.6 gpf manual flush valve. Provide with floor mounted carrier. See architectural elevations for installation height requirements.

END OF ADDENDUM NO. 2

**PRE-BID CONFERENCE AGENDA
PROJECT**

FOR

**CITY OF MOBILE PARK IMPROVEMENTS
MIMS PARK – ATHLETIC RESTROOMS AND CONCESSION
5400 GRISHILDE DRIVE, MOBILE ALABAMA
CITY OF MOBILE PROJECT # PR-048-24B
OCTOBER 23, 2024 at 10:00 a.m.**

Note: *This Agenda is complimentary, for general use as an outline and for discussion during this meeting. Any errors, omissions, or clarifications shall be communicated to the Engineer for distribution. This Agenda does not attempt to be, nor represent, any recapitulation of Project requirements, and does not change or alter same in any respect; Changes, if any, will only be made by written Addendum.*

1. Welcoming remarks. Reminder to sign in on sheet being circulated

2. Name of Owner – City of Mobile
Project Manager –Shannon McIntyre, Will Mastin

Architectural and Engineering personnel:
Christian Preus – Landscape Architect, Primary Consultant
Mott MacDonald – Project Engineer and Architect

3. Every General Contractor and every Subcontractor should read and be familiar with all of the “front-end” documents and all of Division 1 of the Project Manual, in addition to the work they are bidding and have to coordinate with.

4. **Bid time, date, place** – are indicated in the Advertisement for Bids; Sealed bids will be received and clocked in until 2:15 pm, Wednesday, the 6th day of November, 2024 ; bidders shall insert sealed Bids into a receptacle, marked “City of Mobile Bids”, located in the elevator lobby outside the office of the City Clerk Office, 9th Floor South Tower, Government Plaza, 205 Government Street, Mobile, Alabama 36602. Bid will be publicly opened and read at 2:30 PM local time, in the Atrium Lobby of Government Plaza.

It is the Contractors responsibility to make sure Bid is received prior to bid time or they will not be accepted.

5. Note that Advertisement and Instructions to Bidders should be read by each bidder. For insurance requirements refer to Invitation & Instructions to Bidders in the Project Manual. A Certificate of Insurance evidencing all the minimum requirements must be provided to and accepted by the City of Mobile prior to commencing on the contract.

6. Contractors shall use the Bid Form included in Project Manual, copies of which are furnished to each bidder with Bid Documents. Bids must include Attachment A to Bid Form (Unit Prices) at Bid time and date.

7. Before submitting a bid for the Work, the bidders shall carefully examine the Bid Documents, visit the site,

and satisfy themselves as to the nature and location of the Work, and the general and local conditions, including weather, the general character of the site and building, the character and extent of existing work within or adjacent to the site and any other work being performed thereon at the time of submission of their bids.

8. Addenda - Minutes of Pre-Bid Meeting, and any pertinent items discussed shall be issued as Addendum following the Pre-Bid Meeting. Any further addenda necessary after the Pre-Bid Meeting will be issued to all plan holders.
9. Clarification will be made only by written Addenda posted on the City of Mobile website. Questions and Clarifications must be submitted in writing 48 hours prior to bid.
10. When the Bid Documents identify three or more sources and the list of sources is not followed by “or approved equal” or similar wording, the bidder’s proposal shall be based upon one of the identified sources, unless the bidder obtains “Pre-bid Approval” of another source. Approval of substitutions, if granted, shall not be effective until published by the Architect in an addendum to the Bid Documents. Requests for substitutions will not be considered 72 hours prior to bid.
11. If there is a conflict, discrepancy, or confusion between the existing conditions, plans and specifications for work, materials or equipment and the Contractor does not receive written clarification from the Architect prior to the opening of bids the Contractor shall include the better quality or greater quantity of work in his/her bid.
12. Bids must be submitted on the Bid Form as contained in the Bid Documents; only one copy is required to be submitted.
13. All information requested of the bidder on the Bid Form must be filled in. The form must be completed by typewriter or hand-printed in ink.
14. Bids shall be accompanied by a Bid Security equal to 5% (percent) of the total bid price, including the allowance if any, but in no event not more than \$10,000.00. Bid Security shall be on the form of a Bid Bond or cashier’s check payable to the City of Mobile. No Bid Security is required on Bids less than \$10,000.00.
15. Bid, with Bid Security, Sales Tax Form C-3A, City of Mobile Subcontracting and Major Supplier Plan and other supporting data specified, shall be contained in a sealed, opaque envelope, approximately 9x12 inches or larger and be marked on the outside with the words "SEALED BID FOR (Mims Park – Athletic Restrooms and Concession) – PROJECT NUMBER: (PR-048-24B)".
16. Performance Assurance and Insurance: The bidder to whom award is made shall provide a Performance Bond equal to 100% of the total Contract Amount (including the allowance) and a Labor and Material Bond equal to 100% of the total contract amount (including the allowance). The accepted Bidder shall also provide insurance as required in section 1.20
NO WORK IS TO BE PERFORMED UNTIL PROOF OF COMPLIANCE WITH THE INSURANCE REQUIREMENTS HAS BEEN RECEIVED BY THE CITY OF MOBILE.
17. A valid City of Mobile business license for the duration of the contract period. E-verify Documentation: The Beason-Hammond Taxpayer Protection Act applies to this project. Contractor shall comply with the requirements of this Act and show proof of enrollment in the E-verify program by submitting the

electronically generated Federal E-verify document prior to signing of the construction contract. (see Project Manual)

18. Bids may be delivered in person or by mail if ample time is allowed for delivery.
19. Bids will be opened and read publicly at the time and place indicated in the Advertisement for Bids.
20. Alternates, if any, are listed in the Bid Form in the order in which they shall cumulatively add to from the base bid for determining the lowest bidder.
21. Award of contract by Awarding Authority, ASAP after the opening of bids.
22. Proposals may be rejected if they contain any omissions, alterations of forms, additions not called for, conditional bids, alternate bids unless called for, incomplete bids, erasures, or irregularities of any kind.
23. Completion Time for Project: Base Bid Completion Time: **The Project shall be completed within two hundred and seventy (270) calendar days from the date indicated by the Notice to Proceed.** Time begins from date of Official Notice to Proceed
24. At the time the Contractor duly awarded the Bid receives the signed Contract and the Notice to Proceed, he shall submit a Schedule of Work Progress to the Architect which reasonably reflects the amount of time required for each Phase of Work and the deadline by which it can be expected that such phase of the Work shall be completed. This Schedule should accurately reflect the date for Substantial Completion, and take into consideration any reasonable contingencies.
25. The Contractor shall be responsible for all project safety. Neither the Architect nor the Owner will be responsible for the Contractor's safety precautions, means, methods, techniques, sequences, or procedures. Contractor's personnel responsible for safety shall be OSHA certified. Safety barricades (as described in the contract documents) for project, including equipment and storage areas, part of contractors means, methods, techniques, sequences, procedures; cost of any type fencing, barricades, etc. necessary shall be incidental to project.
26. Parking for Contractors and their Subs and workers: Shall be coordinated with the Owner.
27. Traffic Control:
 - Coordinate all construction activities with parties having jurisdiction.
 - Particular attention shall also be paid to vehicular and pedestrian traffic and routing of such during project.
28. Meetings: Owner / Architect / Contractor (OAC) Progress Meeting to be held per project requirements. Pre-Construction Conference will be held once a Contractor has been awarded the project and contract signed.
29. Liquidated Damages: Per Item II Invitation & Instructions to Bidders, 1.24 LIQUIDATED DAMAGES: for non-completion of the work within the time limited agreed upon will be assessed in the amount of actual damages to the Owner but in no event not more than \$250.00 per day.
30. Retainage withheld at 5% of the first 50% of Construction Completed until the amount equals 2.5% of

the full contract amount. The final 2.5% of the full contract amount is withheld as retainage until all close out requirements are met, proof of advertisement, warranties, Consent of Surety and release of liens, etc. By State of Alabama Law, notice of final completion of the contract shall be published in a local newspaper of general circulation.

31. Christian Preus (Landscape Architect). Address and telephone numbers: 307 De La Mare Avenue, Fairhope Alabama, 36532. Phone: (855) 539-5086. E-mail: christian@christianpreus.com
Project Manager: Christian Preus, Landscape Architect
Email: christian@christianpreus.com

32. Closing remarks / questions.

ATTENDANCE ROSTER

MEETING	PROJECT	LOCATION	DATE	
Pre-Bid	Mims Park - Athletic Restrooms and Concessions	Mims Park - 5400 Grishilde Drive, Mobile Alabama, 36695	Tuesday, October 22, 2024	
PR-009-23				
NAME	ORGANIZATION	PHONE	CELL PHONE	E-MAIL
Blake Hanson	RH Deas Building Co.	251-605-6890		richard@rhdeasbuildingco.com
Josh Dindo	Bienville Construction	251-721-1128		Josh@bienvillecs.com
Wayne Tindle	Tindle Construction	251-675-6117		Wayne@tindleconstruction.net
Ronnie Tindle	Tindle Construction	251-463-2824		rtindle@tindleconstruction.net
Kaitlin Kirby	ROGERS + WILUARD	251-222-8687		kkirby@rogerswiluard.com
Gary Lashley	Ben Radcliff	330-787-4261		Gary@BenRadcliff.com
Lucas Nolan	Ben Radcliff	251-525-6652		Lucas@benradcliff.com
Justin Truelove	JNB Services LLC	251-278-9000		justin@jnbcontracting.com
ZACH MORBAN	MWROBERS	850-978-2600		ZACH@MWROBERS.NET
SPENCER Rypps	Kingdom Construction Group	251-554-7780		SPENCER@Kingdomcg.us
Jeremy Hunt	Hunt Enterprises G.C.	251-660-1076	251-583-6094	Jeremy@HuntGC.com jime@HuntGC.com
Kenny Egan	"	"	"	Kenny@HuntGC.com
TOMMY McNICOLL	DELL CONSULTING	251-586-7443		TOMMY@DELLCONSULTINGLLC.COM
Walker Hale	Youngblood-Barrett	251-672-1077		walker.hale@ybce.net
Joseph Payne	Payne Org	251-454-1154		J.Payne@Live.com
Jason Carter	Integrity Maintenance	251-391-9073		integritym17@gmail.com
Robert Costantini	Sycamore Construction	251-234-7984		Robert@sycamore1.com
BAKER DAVIS	MM	(251)		bakerodavis@mottmac.com
Lorenzo Lopez Herrera	Mott Madonna/2			lorenzo.lopez-herrera@mottmac.com
Jose Silva	SMITH MECHANICAL			
Harvey Hall	DREAM BUILDERS CM GROUP (ORBE)	(910) 489-5353		hhall@dreambuilderspllc.com

MIMS PARK
Restroom / Concession
Mobile, Alabama
PR-048-24B

SECTION 00400

BID FORM

Copies of the following Bid Forms shall be used. Bids submitted on alternate forms may be rejected. Fill in all blank spaces with an appropriate entry. Bid Form must be signed by an officer of the company and notarized.

TO: City of Mobile, 205 Government St., P.O. Box 1827, Mobile, AL, 36633

REF: PROJECT NO.: PR-048-24B
PROJECT NAME: Mims Park –Restroom / Concession
PROJECT LOCATION: 5400 Grishilde Drive
Mobile, Alabama, 36633

In compliance with the Bid Documents and having carefully and thoroughly examined said documents for the subject Work prepared by the City of Mobile, Architectural Engineering Department and CPLA Design + Planning Dated October 9, 2024; and all Addendum (a) Number(s) _____, dated _____, 2024 (CAUTION: before submitting any bid it is the Bidder's responsibility to check with the Architectural Engineering Department for all Addenda or special instructions that may impact the Bid) thereto, receipt of which is hereby acknowledged, the premises and all conditions affecting the Work prior to making this Proposal, the Undersigned Bidder, hereby

COMPANY NAME: _____

ADDRESS: _____ **PHONE** _____

ALABAMA GENERAL CONTRACTOR LICENSE NO. _____

CITY OF MOBILE BUSINESS LICENSE NO. _____

SECRETARY OF STATE OF ALABAMA BUSINESS IDENTITY NO. _____

SECRETARY OF STATE OF ALABAMA ACCOUNT NO. _____

(Note: Secretary of State Account Number shall be filled in only by non-resident bidders)

(Check one) A Corporation A Partnership An Individual Doing Business

hereby proposes to furnish all labor, materials, tools, equipment, and supplies and to sustain all the expenses incurred in performing the Work on the above captioned Project in accordance with the terms of the Contract Documents, and all applicable laws and regulations for the sum listed below. The initial term of the Contract shall extend for sixty (270) calendar days from the date of the Notice to Proceed.

MIMS PARK
Restroom / Concession
Mobile, Alabama
PR-048-24B

(Note: Show amount in both words and figures. In case of discrepancy, the amount in words shall govern). **Bids shall be provided in whole dollar amount with no cents.**

CONTINGENCY ALLOWANCE: \$50,000.00 lump sum Contingency Allowance shall be included in the Total Bid for work related to unforeseen conditions as approved by the Owner.

BID SECURITY: The undersigned Bidder agrees that the attached Bid Security, as a Cashier's Check drawn on a bank registered to do business in the State of Alabama and which is a member of the Federal Deposit Insurance Corporation, or a Bid Bond, made payable to the City of Mobile, in the amount of 5% of the bid amount, but in no event more than \$10,000, as the proper measure of liquidated damages which the City will sustain by the failure of the undersigned to execute the Contract. Said Bid Security shall become the property of the City of Mobile as liquidated damages as specified in the Contract Documents.

AMERICANS WITH DISABILITIES ACT (ADA): The undersigned Bidder agrees to fully comply with all requirements of the Americans with Disabilities Act of 1990 and the Amendment Act.

NONDISCRIMINATION: Contractor shall comply with all Federal, State and local laws concerning nondiscrimination, including but not limited to City of Mobile Ordinance No. 14-034 which requires, *inter alia*, that all contractors performing work for the City of Mobile not discriminate on the basis of race, creed, color, national origin or disability, require that all subcontractors they engage do the same, and make every reasonable effort to assure that fifteen percent of the work performed under contract be awarded to socially and economically disadvantaged individuals and business entities.

SIGNATURE: If the undersigned Bidder is incorporated, the entire legal title of the company followed by "a corporation" should be used. If Bidder is an individual, then that individual's full legal name followed by doing business as (d/b/a) and name of firm, if any, should be used. If Bidder is a partnership, then full name of each partner should be listed followed by "d/b/a" and name of firm, if any.

Ensure that name and exact arrangement thereof is the same on all forms submitted with this Bid. If a word is abbreviated in the official company name, such as "Co.", then use that abbreviation. If not abbreviated in the official name, spell out.

Bidder agrees not to revoke or withdraw this Bid until sixty (60) calendar days following the time and date for receipt of bids. If notified in writing of the acceptance of this Bid within this time period, Bidder agrees to execute a Contract based on this Bid on the proscribed form within ten (10) calendar days of said notification and to furnish Performance Bond and Materials and Payment Bond as specified.

MIMS PARK
Restroom / Concession
Mobile, Alabama
PR-048-24B

COMPANY NAME: _____
(Printed or Typed)

BY: _____
(Signature of Company Officer)

COMPANY OFFICER: _____
(Printed or Typed)

TITLE _____ **DATE** _____, 2024
(Printed or Typed)

Sworn to and subscribed before me this _____ day of _____ 2024

Notary Public

- Attachments:
1. Bid Security, with Power of Attorney
 2. Secretary of State Authorization (Out of state bidders only)
 3. Sales Tax Form C-3A
 4. Supplier Diversity Subcontracting & Major Supplier Plan

END OF BID FORM

**ACCOUNTING OF SALES TAX
ATTACHMENT TO BID FORM SECTION 00400
SALES TAX FORM C-3A**

To: City of Mobile

Date: _____

Name of Project: Mims Park Restroom/Concession
Project Number: PR-048-24B

SALES TAX ACCOUNTING

Pursuant to Act 2013-205, Section 1(g) the Contractor accounts for the sales tax NOT included in the bid proposal form as follows:

ESTIMATED SALES TAX AMOUNT

<u>BASE BID:</u>	\$ _____
<u>ADD ALT. #1:</u>	\$ _____
<u>ADD ALT. #2:</u>	\$ _____
<u>ADD ALT. #3:</u>	\$ _____
<u>ADD ALT. #4:</u>	\$ _____
<u>ADD ALT. #5:</u>	\$ _____
ADD ALT. #6:	\$ _____

Failure to provide an accounting of sales tax shall render the bid non-responsive. Other than determining responsiveness, sales tax accounting shall not affect the bid pricing nor be considered in the determination of the lowest responsible and responsive bidder.

Legal Name of Bidder _____

Mailing Address _____

***By (Legal Signature)** _____

*Name (type or print) _____ (Seal)

*Title _____

Telephone Number _____



Bell & McCoy Lighting Prior Approval Submittal

Date: *October 28, 2024*

Project:	City of Mobile Mims Park
Location:	Mobile, AL
No.:	23--004

Contractor Submittal No.: Lighting Preapproval Submittal #1

Specification Section:

Specified Item: Lighting & Controls

Review: *This submittal is being reviewed as a prior approval for Mims Park by the EOR for functionality and will have to be approved by the owner. This is not an approval for a final package and a formal submittal will be required once the project has bid.*

Note: This review is only for general conformance with the design concept of the project and general compliance with the information given in the Contract Documents. Corrections or comments made on the shop drawings during this review do not relieve contractor from compliance with the requirements of the plans and specifications. Acceptance of a specific item shall not include acceptance of an assembly of which the item is a component. Contractor is responsible for dimensions to be confirmed and correlated at the job site; information that pertains solely to the fabrication processes or to the means, methods, techniques, sequences and procedures of construction; coordination of his work with that all other trades; and for performing all work in a safe and satisfactory manner.

Reviewed by: Christina Marie

Comments:

1. Ensure WPX is provided with an integral emergency battery backup.
2. Controls were not included in submittal.

Functionally it appears the proposed fixtures are comparable to the design intent; final approval to be determined by the Owner.



Date: Oct 23, 2024

Bell & McCoy Lighting and Controls
104 23rd Street South, Suite 200
Birmingham AL 35233
Phone: (205) 303-6010
Fax: (205) 407-9035

Job Name
Mims Park
GULF COAST24-109997
Mobile AL

Bid Date
Nov 6, 2024

Submittal Date
Oct 23, 2024



Oct 23, 2024

RE: Mims Park
Mobile AL

Type	MFG	Part
PL	KIM LIGHTING	PVNT-4-4-35-35K8-D01-UNVC-WHT- PVNTCMWHT
FP	COLUMBIA LIGHTING	CBT24-A-LSCS-EDD
EMEX	COMPASS	CCRS
WL2	ADVANTAGE ENVIRONMENTAL LI	LCF-2-35-2L-B14-CP87-187P-W-M
WPX	INDUSTRIAL LIGHTING PRODUCT	VWM-3L/4L/5L-U-CCTS-T3-BRZ
WL4	COLUMBIA LIGHTING	MPS4-40HL-CW-EDU

**KIMLIGHTING®****PVNT**

PREVENT LINEAR

DATE: _____ LOCATION: _____

TYPE: _____ PROJECT: _____

CATALOG #: _____

FEATURES

- Vandal Resistant with captive end caps.
- 1ft, 2ft, 3ft and 4ft lengths, 1800–12600 nominal Lumens
- Stand alone, continuous runs, surface ceiling, wall and pendant
- Unlit center piece connect and corner mount options available
- X, T, L shape pattern options
- Tamper resistant fasteners
- Decorative end cap and lens banding options
- Different housing color and finish options

**CONTROL TECHNOLOGY****SPECIFICATIONS****CONSTRUCTION**

- Polyester epoxy powdercoat finish
- Optional tamper resistant locking cover mechanism prevents access to all fasteners
- All fasteners are Stainless Steel. Tamper resistant (TR) fasteners are included with captive cover
- Marine grade low copper aluminum body
- Impact resistant diffuse polycarbonate lens .156" thick

INSTALLATION

- Surface mount, corner mount, and pendant mount options
- Continuous row mount for pendant, straight runs and corner installations. Unlit center piece connector options available
- Fixtures must be grounded in accordance with national, state and/or local electrical codes. Failure to do so may result in serious personal injury

ELECTRICAL

- Universal voltage, 120 through 277V with a $\pm 10\%$ tolerance. Driver is UL Listed
- High voltage configurations, 347/480. Driver has a 0-10V dimming interface for multi-level illumination options. Driver is UL Listed
- Drivers have greater than a 0.9 power factor, less than 20% harmonic distortion, and be suitable for operation in -40°C to 40°C ambient environments
- Luminaires are capable of operating at 100% brightness in a 40°C environment. Both driver and optical array have integral thermal protection that will dim the luminaire upon detection of temperatures in excess of 85°C
- Dimming range from 1% to 100% through the use of standard 0-10V interface on the programmable driver
- Modular wiring harness in the service area provides user access to the dimming circuitry
- Optional factory programmed dimming profile
- Surge protection: 10kA in parallel
- SF for 120, 277, 347 Line volts
DF for 208, 240, 480 Line volts
- Wiring: No. 18AWG rated 75°C wet rating, 90°C dry rating

CERTIFICATIONS

- Listed to UL1598 and CSA C22.2#250.0-24 for wet locations and 40°C ambient temperatures
- ADA compliant
- UL 924 Standard for Emergency Lighting and Power Equipment
- IP66 rated
- IK10 Impact resistant per EN 62262 and UV stable polycarbonate lens
- ANSI C136.31-2010 Vibration tested and compliant 3G
- ANSI C78.377.2008 Compliant
- ANSI C82.77.2002 Compliant
- RoHS compliant

WARRANTY

- 5 year warranty

KEY DATA

KEY DATA	
LUMEN RANGE	1,800 – 12,600
WATTAGE RANGE	10 – 90
EFFICACY RANGE (LPW)	111.8 – 157.6
RATED LIFE (HOURS)	L70/60,000



PVNT

PREVENT LINEAR

DATE: _____ LOCATION: _____

TYPE: _____ PROJECT: _____

CATALOG #: _____

ORDERING GUIDE

Example: PVNT-4-4-35-30K8-NDM-UNV-C-WHT-TR-NXW

CATALOG #

HOUSING

PVNT	Row Length (In Feet) ¹⁰	Length ¹⁰	Wattage/Lumen Output	SOURCE/CCT	Banding	Driver
Housing	Enter in foot increments				Blank No Banding	D01 1% Dimming, 0-10V ⁹
PVNT Prevent Linear	4'	1 1' 2 2' 3 3' 4 4'	PVNT1 (1) 10 10W / 1,800 lm nominal 15 15W / 2,500 lm nominal PVNT2 (2) 15 10W / 2,600 lm nominal 25 25W / 3,800 lm nominal 40 40W / 5,700 lm nominal PVNT3 (3) 25 25W / 4,000 lm nominal 45 45W / 6,700 lm nominal 65 65W / 9,500 lm nominal PVNT4 (4) 35 35W / 5,300 lm nominal 55 55W / 7,700 lm nominal 70 70W / 10,100 lm nominal 90 90W / 12,600 lm nominal	White LED 27K8 2700 K 80 CRI Ra min 27K9 2700 K 90 CRI Ra /50R9 min 30K8 3000 K 80 CRI Ra min 30K9 3000 K 90 CRI Ra /50R9 min 35K8 3500 K 80 CRI Ra min 35K9 3500 K 90 CRI Ra /50R9 min 40K8 4000 K 80 CRI Ra min 40K9 4000 K 90 CRI Ra /50R9 min 50K8 5000 K 80 CRI Ra min 50K9 5000 K 90 CRI Ra /50R9 min SpectraSync⁴ SS2750T8 SpectraSync 2700K-5000K 80 CRI SS2750T9 SpectraSync 2700K-5000K 90 CRI SS2765T8 SpectraSync 2700K-6500K 80 CRI SS2765T9 SpectraSync 2700K-6500K 90 CRI	B Banding	D00 1% Dim-to-Off, 0-10V D05 5% Dimming, 0-10V DS1 1% Dimming w/ Soft Start, 0-10V DSO 1% Dim-to-Off w/ Soft Start, 0-10V ⁹ NDM Non-Dimming

Voltage	End Caps	Application	Color	Options	Control Options
UNV 120-277V	C Captive endcap with recessed tamper resistant fasteners	Blank Standard	BLS Black Gloss Smooth	TR Tamper Resistant Stainless Steel Fasteners	Integrated Sensor Controls
347 347V	D Decorative endcap - concealed fasteners	CGF Coastal Grade Finish	BLT Black Matte Textured	Electrical DSW Dual Circuit Wiring (for dual switches) EM 10W battery ^{5,6} DTS Dimming Bypass Module for emergency power circuit ⁶ SF Single Fuse for 120 or 277V DF Double Fuse for 208, 240, or 480V	OCM Occupancy Sensor Microwave - Integrated ⁷
480 480V			DBS Dark Bronze Gloss Smooth DBT Dark Bronze Matte Textured GTT Graphite Matte Textured LGS Light Gray Smooth PSS Platinum Silver Smooth WHS White Gloss Smooth WHT White Matte Textured VGS Verde Green Smooth LEG Legacy Color CC Custom Color ³		Integrated NX Networked - Wireless NXW NX Networked Wireless Radio Module NXRM2 and Bluetooth Programming, without Sensor NXWOM NX Networked Wireless Enabled Integral NXSMP2-OMNI PIR Occupancy Sensor with Automatic Dimming Photocell and Bluetooth Programming

Configuration Accessories ACC-O

TMPLT-CMT PVNT	Mounting template
PVNT1 (YY)†	I connector for continuous run ^{2,11}
PVNTL (YY) †	L connector for continuous run ^{2,12}
PVNTT (YY) †	T connector for continuous run ^{2,12}
PVNTX (YY) †	X connector for continuous run ^{2,12}
PVNTCEN (YY) †	Center piece connector unit ^{2,8,12}
PVNTCM (YY) †	Corner Mount ² †YY = Paint color

Mounting Options

SS12(YY) †	12" Pendant with 45° swivel, 2 pcs included
SS24(YY) †	24" Pendant with 45° swivel, 2 pcs included
SS36(YY) †	36" Pendant with 45° swivel, 2 pcs included
SS (XX) (YY) †	Pendant with Swivel (XX = length up to 48", 2 pcs included) ¹ †YY = Paint color

Notes:

- Consult factory, Pendant mount can be used in indoor or damp locations only. When mounted outdoors entire luminaire should be flat against mounting surface.
- Order separately.
- Consult factory for custom color, marine and corrosive finish options.
- Not available for 1ft fixture. Operating temperature limit is 0° C to 50° C.
- Not available for 347V/480V.
- Only available for UNV.
- Center piece available in 1ft, 2ft, 3ft and 4ft lengths.
- DS1 and DSO not available for 1ft fixture with DSW option
- Length of Continuous Run must be in increments of 3' or 4' in coordination with Wattage/Lumen Output selected. Max Length of row using 4' increments is 92'; Max Length of row using 3' increments is 93'. Refer to Electrical Data table.
- Ordered only as replacement; I connector included with Continuous Run configuration.
- Contact Factory for pattern configurations. Approval drawings required.

Pendant mount can be used in indoor or damp locations only. When mounted outdoors entire luminaire should be flat against mounting surface.


PVNT

PREVENT LINEAR

DELIVERED LUMENS

Section Length	Nominal Lumen Package	Nominal Watts	2700K 80CRI		3000K 80 CRI		3500K 80 CRI		4000K 80 CRI		5000K 80 CRI	
			Lumen (lm)	Efficacy (lm/W)	Lumen (lm)	Efficacy (lm/W)	Lumen (lm)	Efficacy (lm/W)	Lumen (lm)	Efficacy (lm/W)	Lumen (lm)	Efficacy (lm/W)
1 FT	1,800	10	1631	118.8	1631	118.8	1721	125.3	1781	129.7	1837	133.8
	2,500	15	2268	125.0	2268	125.0	2394	131.9	2477	136.6	2555	140.8
2 FT	2,600	15	2344	133.2	2345	133.2	2474	140.6	2560	145.5	2641	150.1
	3,800	25	3491	129.5	3492	129.5	3684	136.7	3813	141.4	3933	145.9
	5,700	40	5183	136.1	5184	135.7	5470	143.1	5661	149.2	5839	152.2
3 FT	4,000	25	3698	139.9	3699	139.9	3903	147.7	4039	152.8	4166	157.6
	6,700	45	6169	134.7	6170	134.7	6511	142.2	6738	147.1	6950	151.7
	9,500	65	8719	130.6	8720	130.6	9201	137.8	9523	142.6	9822	147.1
4 FT	5,300	35	4884	135.8	4885	135.8	5154	143.3	5334	148.3	5502	153.0
	7,700	55	7020	132.5	7022	132.5	7409	139.8	7668	144.7	7909	149.2
	10,100	70	9291	129.0	9293	129.1	9806	136.2	10148	140.9	10467	145.4
	12,600	90	11530	128.5	11532	128.5	12168	135.6	12593	140.4	12989	144.8

ELECTRICAL DATA

PREVENT POWER LOAD MATRIX (7 A MAX AMPERAGE)					
SIZE (FT)	LUMEN POWER LEVEL (LM)	LOAD (A)	SYSTEM POWER (W)	MAX MATED UNITS	TOTAL FEET
1	1800	0.12	13.7	58	58
	2500	0.16	18.1	45	45
2	2600	0.15	17.6	46	92
	3800	0.23	27.0	30	60
	5700	0.33	38.4	21	42
3	4,000	0.22	26.4	31	93
	6,700	0.39	45.8	18	54
	9,500	0.58	66.8	12	36
4	5,300	0.31	36.0	23	92
	7,700	0.46	53.0	15	60
	10,100	0.61	72.0	11	44
	12,600	0.76	89.7	9	36

CRI LUMEN MULTIPLIERS

OPTION	2700K	3000K	3500K	4000K	5000K
90 CRI	0.8863	0.8836	0.9051	0.9067	0.9134

LUMEN MAINTENANCE

PROJECTED LUMEN MAINTENANCE (25°C / 77°F)						
HOURS	0	25,000	36,000	50,000	100,000	REPORTED L70
Projected Lumen Maintenance	100%	96.9%	96.2%	95.2%	91.9%	>60,000

**KIMLIGHTING®****PVNT**

PREVENT LINEAR

CONTROLS**NX Lighting Controls:**

Supports both indoor and outdoor applications in a variety of deployment options- wired, wireless, hybrid.
Integrates with and enables a wide array of luminaires.



NX INTEGRATED CONTROLS REFERENCE

NX OPTION	SENSOR	NETWORKABLE	SCHEDULING	OCCUPANCY	DAYLIGHT HARVESTING	0-10V DIMMING	ON/OFF CONTROL	BLUETOOTH® APP PROGRAMMING
NXW	N/A	Yes	Yes	No	No	Yes	Yes	Yes
NXWOM	NXSMP2-OMNI	Yes	Yes	Yes	Yes	Yes	Yes	Yes



KIMLIGHTING®

PVNT

PREVENT LINEAR

SPECTRASYNC DELIVERED LUMENS

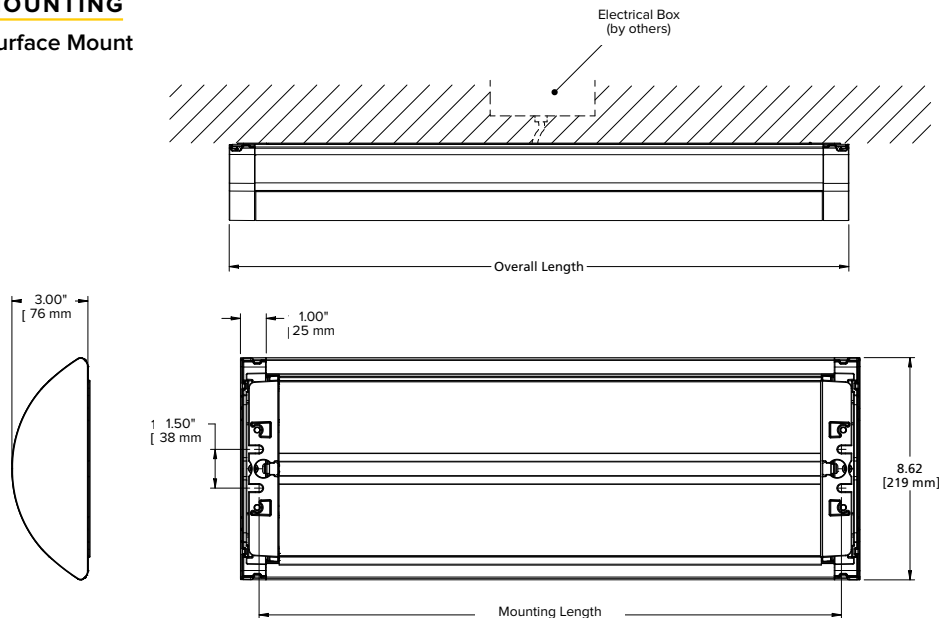
SECTION LENGTH	NOMINAL LUMEN PACKAGE	NOMINAL WATTS	2700K		3000K		3500K		4000K		5000K		6000K		6500K	
			LUMENS	LPW	LUMENS	LPW	LUMENS	LPW	LUMENS	LPW	LUMENS	LPW	LUMENS	LPW	LUMENS	LPW
1 FT	2,500	15	2255	114.4	2268	115.1	2289	116.1	2308	117.1	2341	118.8	2359	119.7	2387	121.1
2 FT	5,700	40	5115	127.0	5145	128.0	5192	129.4	5235	130.7	5310	133.2	5351	134.5	5414	136.1
3 FT	9,500	65	8669	123.6	8720	124.4	8800	125.5	8873	126.5	9000	128.3	9069	129.3	9176	130.9
4 FT	12,600	90	11465	122.6	11532	123.3	11637	124.4	11734	125.5	11902	127.3	11994	128.2	12135	129.7

SPECTRASYNC ELECTRICAL DATA

POWER LOAD MATRIX (7A MAX AMPERAGE)						
SIZE (FT)	LUMEN POWER LEVEL [LM]	PROGRAMMED CURRENT [mA]	LOAD [A]	SYSTEM POWER [W]	MAX MATED UNITS	SYSTEM POWER [W]
1ft	2500	480	0.17	19.7	41	19.7
2ft	5700	774	0.34	40.0	20	40.0
3ft	9500	1,200	0.60	70.1	12	70.1
4ft	12600	2 x 800	0.80	93.5	9	93.5

MOUNTING

Surface Mount



SURFACE MOUNT		
Fixture Size	Overall Length	Mounting Length
1ft	12" (305 mm)	10.75" (273 mm)
2ft	24" (610 mm)	22.75" (578 mm)
3ft	36" (914 mm)	34.75" (883 mm)
4ft	48" (1219 mm)	46.75" (1187 mm)



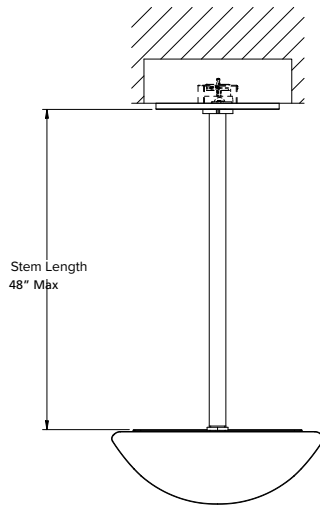
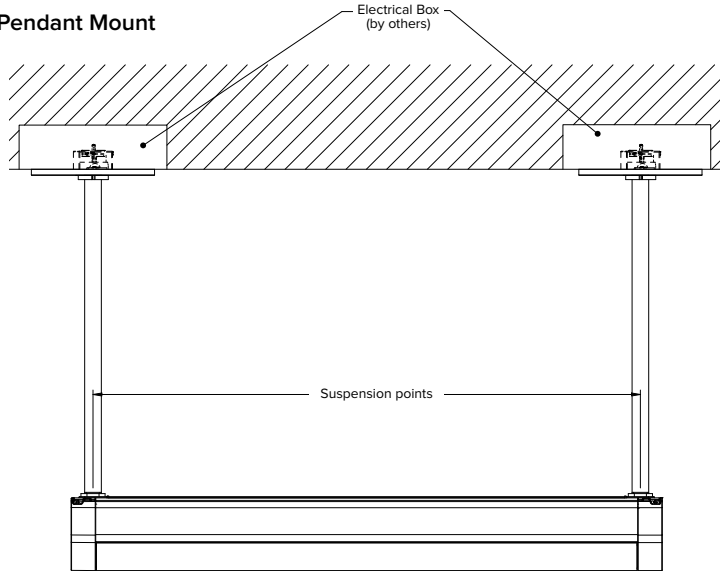
KIMLIGHTING®

PVNT

PREVENT LINEAR

MOUNTING (CONTINUED)

Pendant Mount



PENDANT MOUNT	
Fixture Size	Suspension Points
1ft	10.25" (260 mm)
2ft	22.25" (565 mm)
3ft	34.25" (870 mm)
4ft	46.25" (1175 mm)

Pendant mount can be used in indoor or damp locations only. When mounted outdoors entire luminaire should be flat against mounting surface.



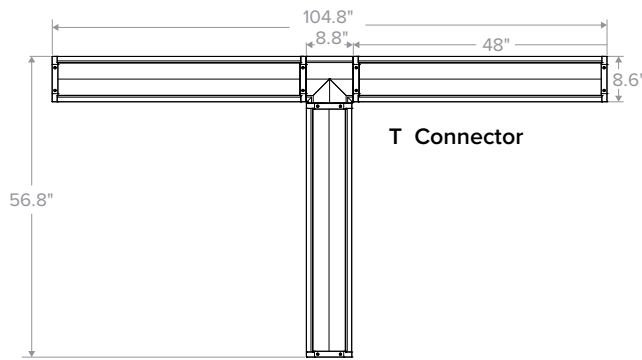
KIMLIGHTING®

PVNT

PREVENT LINEAR

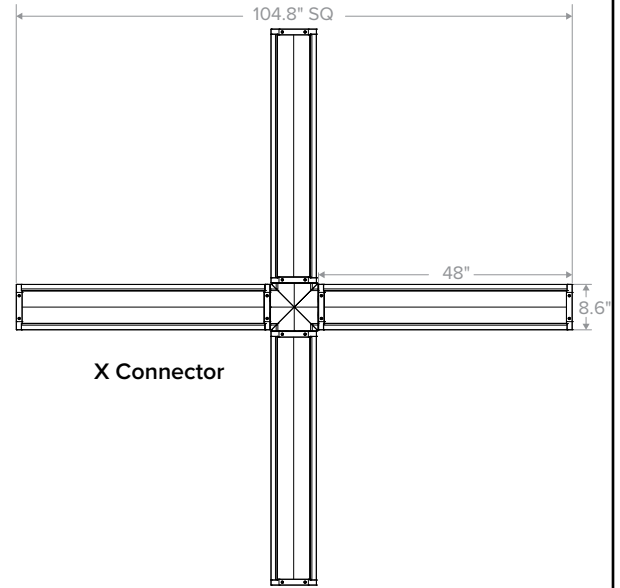
MOUNTING (CONTINUED)

Pattern Mount



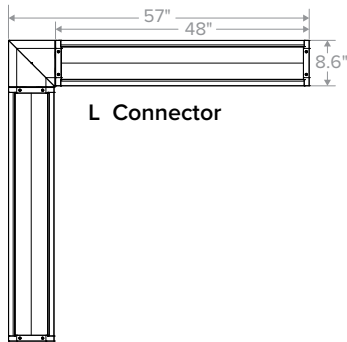
T Connector

4 Ft fixture shown for reference.



X Connector

4 Ft fixture shown for reference.



L Connector

4 Ft fixture shown for reference.

Continuous Run:

L,T,X options are only available for 3ft and 4ft fixtures, Consult factory.

All fixtures must be same size, and wattage.

Reference tables below for limitations.



KIMLIGHTING®

PVNT

PREVENT LINEAR

MOUNTING (CONTINUED)

End Cap Option D



Decorative Cover



Once you press down on it, cover will release

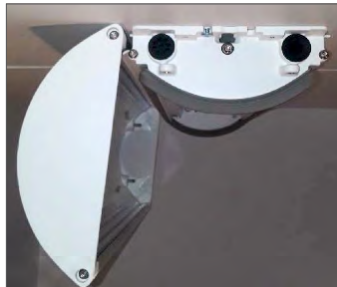


Fixture hinges along the housing will release

End Cap Option C



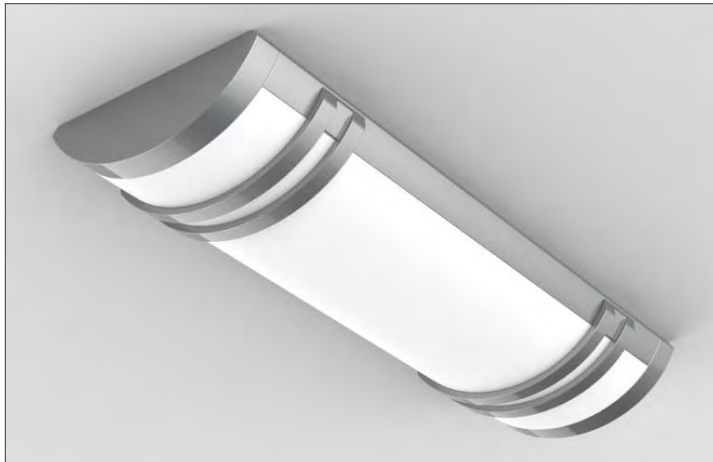
Captive Cover



Lens frame will release once the screws have been loosened. The tamper resistant hardware is captured in the lens frame.

LENS OPTION

Banding (B) Lens Option Example





KIMLIGHTING®

PVNT

PREVENT LINEAR

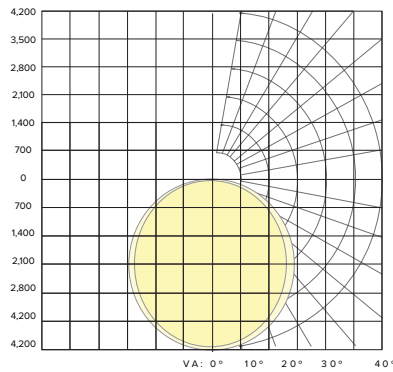
PHOTOMETRY

PVNT-4-4-90-40K8

LUMINAIRE DATA

Description	4000K, 80CRI
Delivered Lumens	12593
Watts	89.72
Efficacy	140.4

ISOFOOT CANDLE PLOT

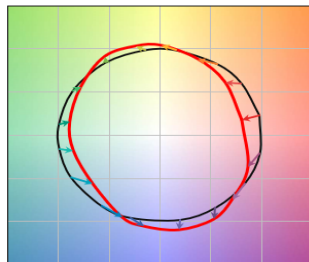


ZONAL LUMEN SUMMARY

Zone	Lumens	% Luminaire
0-30	3,203	25.4%
0-40	5,211	41.4%
0-60	9,127	72.5%
60-90	2,995	23.8%
90-180	471	3.7%
Total Flux	12,593	100%

TM-30 DATA

COLOR VECTOR GRAPHIC

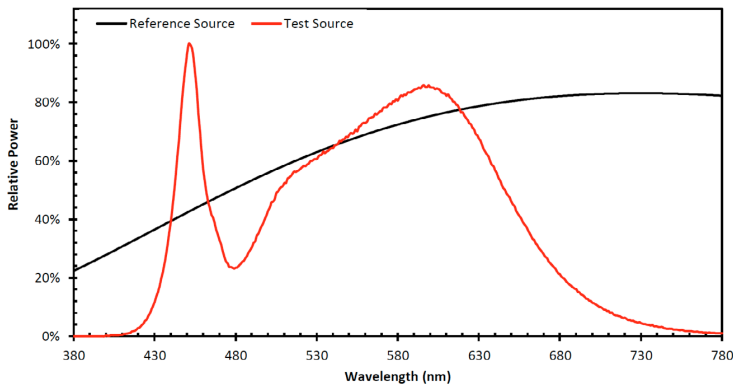


*Graphics shown are at 40K

— Reference Illuminant — Test Source

TEST RESULTS - 4000K	
Value	80+ CRI
CCT (K)	3982
CIE R _a	73
D _{uv}	0.0014
R _f	72
R _g	93
x	0.3822
y	0.3808

SPECTRAL POWER DISTRIBUTION COMPARISON



This chart displays the spectral power distributions for the test and reference source. Each SPD has been normalized so that the maximum values is 100%.



Columbia
LIGHTING
CBT-LSCS
BACK-LIT TROFFER

DATE: _____ LOCATION: _____
TYPE: _____ PROJECT: _____
CATALOG #: _____

Gray Shading = Service Program
Limit of 50 Luminaries **QS10**

ORDERING GUIDE

Example: CBT14-A-LSCS-EDD-2PK

CATALOG # _____

CBT	Model	Size	Generation	Selectable	Driver	Packaging	Options
CBT Back-lit Troffer	14 1x4 22 2x2 24 2x4		A Generation A	LSCS Lumen Selectable, CCT Selectable	EDD 0-10V Dim to Off ¹	Blank ⁴ 2PK 2 Pack ²	ELL14 10W Emergency Battery Pack (CEC Title 20 Compliant) Installed C588 5 Wire Flex C688 6 Wire Flex ³

Notes:

- 1 EDD - Dim to Off Standard. See additional detail on page 6
- 2 2PK - must be ordered as single units in even quantities, as this product is packed two fixtures per box. It should be noted in receiving documents that one box has two units and should be received as two units.
- 3 Can only be ordered with ELL14 Battery Option
- 4 Fixtures are priced as single fixtures and must be ordered as single fixtures. Standard packaging is a master carton containing four individually boxed fixtures. It should be noted in receiving documents that one master carton includes four individually boxed fixtures and should be received as four fixtures

STOCKED OPTIONS

Catalog Number	Description	Setting	Lumens			Watts	Lumens Per Watt (LPW)			Weight	Carton Qty	UPC
			3500K	4000K	5000K		3500K	4000K	5000K			
CBT14-A-LSCS-EDD-2PK	1x4 Back-Lit Troffer; 4400/3300/2750 Switchable Lumens; 3500/4000/5000K Switchable CCT; 80 CRI; 0-10V 1% Dim to Off; 120-277V	LOW	2750	2850	2800	24	115	119	117	4.99 lb 2.19 kg	2 [^]	840141412184
CBT14-A-LSCS-EDD		MED	3300	3400	3350	28	118	121	120		4 [*]	840141432670
		HIGH	4400	4600	4500	38	116	121	118		Master Carton: 10840141432677	
CBT22-A-LSCS-EDD-2PK	2x2 Back-Lit Troffer; 4400/3300/2750 Switchable Lumens; 3500/4000/5000K Switchable CCT; 80 CRI; 0-10V 1% Dim to Off; 120-277V	LOW	2750	2850	2800	24	115	119	117	4.96 lb 2.24 kg	2 [^]	840141412207
CBT22-A-LSCS-EDD		MED	3300	3400	3350	28	118	121	120		4 [*]	840141432687
		HIGH	4400	4600	4500	38	116	121	118		Master Carton: 10840141432684	
CBT24-A-LSCS-EDD-2PK	2x4 Back-Lit Troffer; 5500/4400/3300 Switchable Lumens; 3500/4000/5000K Switchable CCT; 80 CRI; 0-10V 1% Dim to Off; 120-277V	LOW	3300	3450	3400	28	118	123	121	9.37 lb 4.25 kg	2 [^]	840141412221
CBT24-A-LSCS-EDD		MED	4400	4600	4500	38	116	121	118		4 [*]	840141432700
		HIGH	5500	5800	5700	48	115	121	119		Master Carton: 10840141432707	

Notes:

- [^] Must be ordered as single units in even quantities as this item is packed two fixtures per carton
- ^{*} Must be ordered in single units, with no quantity restrictions as standard packaging is a master carton containing four individually boxed fixtures.

MADE TO ORDER OPTIONS

Factory Installed Flexible Conduit & Battery Options

Catalog Number	UPC	Description	Carton Qty
<input type="checkbox"/> CBT14-A-LSCS-EDD-ELL14	840141430058	1x4 Back-lit LED Troffer, 4400/3300/2750lm, 3500/4000/5000K, Dim to Off, Factory Installed 10W EM Battery (CEC Title 20 Compliant)	1
<input type="checkbox"/> CBT22-A-LSCS-EDD-ELL14	840141430065	2x2 Back-lit LED Troffer, 4400/3300/2750lm, 3500/4000/5000K, Dim to Off, Factory Installed 10W EM Battery (CEC Title 20 Compliant)	1
<input type="checkbox"/> CBT24-A-LSCS-EDD-ELL14	840141430072	2x4 Back-lit LED Troffer, 5500/4400/3300lm, 3500/4000/5000K, Dim to Off, Factory Installed 10W EM Battery (CEC Title 20 Compliant)	1
<input type="checkbox"/> CBT14-A-LSCS-EDD-C588	603134946468	1x4 Back-lit LED Troffer, 4400/3300/2750lm, 3500/4000/5000K, Dim to Off, Factory Installed 5 Wire Flexible Conduit	1
<input type="checkbox"/> CBT22-A-LSCS-EDD-C588	603134946482	2x2 Back-lit LED Troffer, 4400/3300/2750lm, 3500/4000/5000K, Dim to Off, Factory Installed 5 Wire Flexible Conduit	1
<input type="checkbox"/> CBT24-A-LSCS-EDD-C588	603134946505	2x4 Back-lit LED Troffer, 5500/4400/3300lm, 3500/4000/5000K, Dim to Off, Factory Installed 5 Wire Flexible Conduit	1
<input type="checkbox"/> CBT14-A-LSCS-EDD-ELL14-C688	603134946475	1x4 Back-lit LED Troffer, 4400/3300/2750lm, 3500/4000/5000K, Dim to Off, Factory Installed 10W EM Battery & 6 Wire Flexible Conduit	1
<input type="checkbox"/> CBT22-A-LSCS-EDD-ELL14-C688	603134946499	2x2 Back-lit LED Troffer, 4400/3300/2750lm, 3500/4000/5000K, Dim to Off, Factory Installed 10W EM Battery & 6 Wire Flexible Conduit	1
<input type="checkbox"/> CBT24-A-LSCS-EDD-ELL14-C688	603134946512	2x4 Back-lit LED Troffer, 5500/4400/3300lm, 3500/4000/5000K, Dim to Off, Factory Installed 10W EM Battery & 6 Wire Flexible Conduit	1

Can be ordered in single unit (odd number) quantities as this is a factory installed option

ELL14 option uses a 10 watt Emergency Battery. To determine lumen output in emergency mode, multiply 10w by the fixture lumens per watt (LPW). EX: 10w x 123LPW = 1230 Lumens in Emergency Mode

CBP Gen A fixtures with ELL14 option require a remote mounted test switch, we recommend Dual-Lite PLRTS



Columbia
LIGHTING

CBT-LSCS
BACK-LIT TROFFER

DATE: _____ LOCATION: _____

TYPE: _____ PROJECT: _____

CATALOG #: _____

ORDERING GUIDE CONTINUED

Accessories (Order Separately)	Part #	UPC	Notes & Restrictions
Flange Kits			
<input type="checkbox"/> FK14	FK14	078531000745	1x4 Single Flange Kit
<input type="checkbox"/> FK22	FK22	078531000752	2x2 Single Flange Kit
<input type="checkbox"/> FK24	FK24	078531038991	2x4 Single Flange Kit
Surface Mount Kits			
<input type="checkbox"/> PSMK14	93302543	662055127905	1x4 Shallow Surface Mount Kit, 63mm
<input type="checkbox"/> PSMK22	93302544	662055127912	2x2 Shallow Surface Mount Kit, 63mm
<input type="checkbox"/> PSMK24	93302545	662055127929	2x4 Shallow Surface Mount Kit, 63mm
<input type="checkbox"/> DSMK14	93313908	840141433134	1x4 Deep Surface Mount Kit, 110mm, for use with ELL14 and EMBB options
<input type="checkbox"/> DSMK22	93313898	840141433219	2x2 Deep Surface Mount Kit, 110mm, for use with ELL14 and EMBB options
<input type="checkbox"/> DSMK24	93313899	840141433226	2x4 Deep Surface Mount Kit, 110mm, for use with ELL14 and EMBB options
Emergency Battery - CBP Gen A EMBB Kits use a 10 watt Emergency Battery. To Determine lumen output in emergency mode, multiply 10w by the fixture lumens per watt (LPW). Ex: 10w x 123 LPW = ~1230 lumens in emergency mode. CBP Gen A fixtures with ELL14 option require a remote mounted test switch, we recommend the Dual Lite PLRTS			
<input type="checkbox"/> CBP14A EMBB Kit	93308995	662055313940	1x4 CBP Gen A EMBB (CEC Title 20 Compliant) Field Installable Kit
<input type="checkbox"/> CBP2224A EMBB Kit	93308998	662055313971	2x2 & 2x4 CBP Gen A EMBB (CEC Title 20 Compliant) Field Installable Kit
347V			
<input type="checkbox"/> CBP14A 347V Kit	93308996	662055313957	1x4 CBP Gen A 347V Field Installable Kit
<input type="checkbox"/> CBP2224A 347V Kit	93308999	662055313988	2x2 & 2x4 CBP Gen A 347V Field Installable Kit
Dimming Bypass Module			
<input type="checkbox"/> CBP14A DTS Kit	93308997	662055313964	1x4 CBP Gen A DTS Field Installable Kit
<input type="checkbox"/> CBP2224A DTS Kit	93309000	662055313995	2x2 & 2x4 CBP Gen A DTS Field Installable Kit
Switch Cover			
<input type="checkbox"/> PSC Switch Cover 50PK	93167456	840141413426	CBP Gen A Selectable Driver Switch Cover

DLC LISTINGS

Size	DLC Model #	DLC Product ID #
1x4	CBT14-A-LSCS-EDD-2PK-HIGH-3500K	S-VOXH25
	CBT14-A-LSCS-EDD	S-0BBXCH
2x2	CBT22-A-LSCS-EDD-2PK-HIGH-3500K	S-TGP9ED
	CBT22-A-LSCS-EDD	S-6LZF85
2x4	CBT24-A-LSCS-EDD-2PK-HIGH-3500K	S-9KC4SA
	CBT24-A-LSCS-EDD	S-J8QJ2F


Columbia
LIGHTING

CBT-LSCS
BACK-LIT TROFFER

DATE: _____ LOCATION: _____

TYPE: _____ PROJECT: _____

CATALOG #: _____

ORDERING GUIDE CONTINUED

Accessories (Order Separately)	Part #	UPC	Notes & Restrictions
Flange Kits			
<input type="checkbox"/> FK14	FK14	078531000745	1x4 Single Flange Kit
<input type="checkbox"/> FK22	FK22	078531000752	2x2 Single Flange Kit
<input type="checkbox"/> FK24	FK24	078531038991	2x4 Single Flange Kit
Surface Mount Kits			
<input type="checkbox"/> PSMK14	93302543	662055127905	1x4 Shallow Surface Mount Kit, 63mm
<input type="checkbox"/> PSMK22	93302544	662055127912	2x2 Shallow Surface Mount Kit, 63mm
<input type="checkbox"/> PSMK24	93302545	662055127929	2x4 Shallow Surface Mount Kit, 63mm
<input type="checkbox"/> DSMK14	93313908	840141433134	1x4 Deep Surface Mount Kit, 110mm, for use with ELL14 and EMBB options
<input type="checkbox"/> DSMK22	93313898	840141433219	2x2 Deep Surface Mount Kit, 110mm, for use with ELL14 and EMBB options
<input type="checkbox"/> DSMK24	93313899	840141433226	2x4 Deep Surface Mount Kit, 110mm, for use with ELL14 and EMBB options
Emergency Battery - CBP Gen A EMBB Kits use a 10 watt Emergency Battery. To Determine lumen output in emergency mode, multiply 10w by the fixture lumens per watt (LPW). Ex: 10w x 123 LPW = ~1230 lumens in emergency mode. CBP Gen A fixtures with ELL14 option require a remote mounted test switch, we recommend the Dual Lite PLRTS			
<input type="checkbox"/> CBP14A EMBB Kit	93308995	662055313940	1x4 CBP Gen A EMBB (CEC Title 20 Compliant) Field Installable Kit
<input type="checkbox"/> CBP2224A EMBB Kit	93308998	662055313971	2x2 & 2x4 CBP Gen A EMBB (CEC Title 20 Compliant) Field Installable Kit
347V			
<input type="checkbox"/> CBP14A 347V Kit	93308996	662055313957	1x4 CBP Gen A 347V Field Installable Kit
<input type="checkbox"/> CBP2224A 347V Kit	93308999	662055313988	2x2 & 2x4 CBP Gen A 347V Field Installable Kit
Dimming Bypass Module			
<input type="checkbox"/> CBP14A DTS Kit	93308997	662055313964	1x4 CBP Gen A DTS Field Installable Kit
<input type="checkbox"/> CBP2224A DTS Kit	93309000	662055313995	2x2 & 2x4 CBP Gen A DTS Field Installable Kit
Switch Cover			
<input type="checkbox"/> PSC Switch Cover 50PK	93167456	840141413426	CBP Gen A Selectable Driver Switch Cover

DLC LISTINGS

Size	DLC Model #	DLC Product ID #
1x4	CBT14-A-LSCS-EDD-2PK-HIGH-3500K	S-VOXH25
	CBT14-A-LSCS-EDD	S-0BBXCH
2x2	CBT22-A-LSCS-EDD-2PK-HIGH-3500K	S-TGP9ED
	CBT22-A-LSCS-EDD	S-6LZF85
2x4	CBT24-A-LSCS-EDD-2PK-HIGH-3500K	S-9KC4SA
	CBT24-A-LSCS-EDD	S-J8QJ2F



Columbia
LIGHTING

CBT-LSCS
BACK-LIT TROFFER

DATE: _____ LOCATION: _____

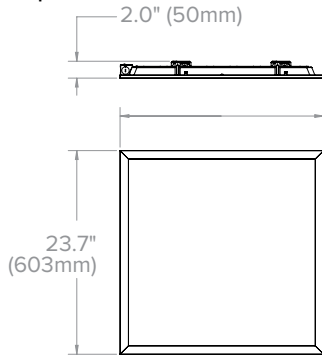
TYPE: _____ PROJECT: _____

CATALOG #: _____

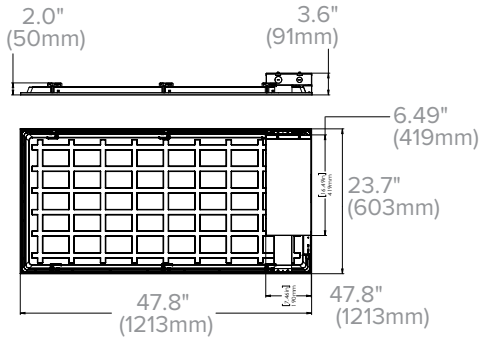
DIMENSIONS

Basic Version

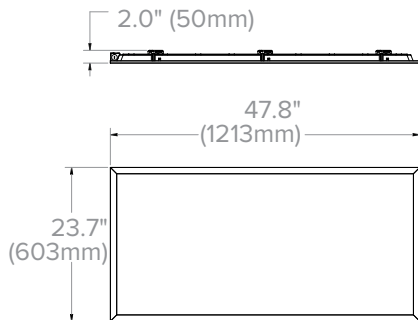
2x2 example



2x4 example with EMBB kit

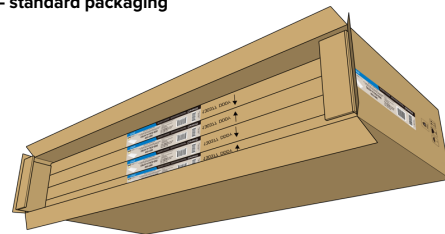


2x4 example



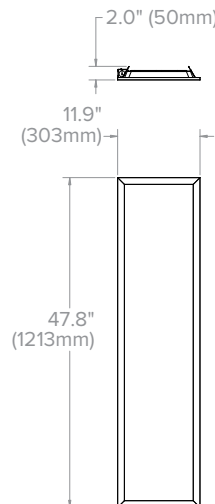
PACKAGING INFO

4 Pack — standard packaging

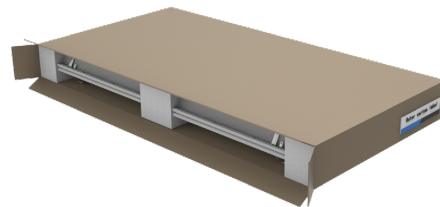


Standard 4 Pack. Fixtures are priced as single fixtures and must be ordered as single fixtures. Standard packaging is a master carton containing four individually boxed fixtures. It should be noted in receiving documents that one master carton includes four individually boxed fixtures and should be received as four fixtures

1x4 example



2 Pack option — indicate 2PK in "Packaging" section of ordering SKU



2 Pack. Must be ordered as single units in even quantities, as this product is packed two fixtures per box. It should be noted in receiving documents that one box has two units and should be received as two units.



Columbia
LIGHTING

CBT-LSCS
BACK-LIT TROFFER

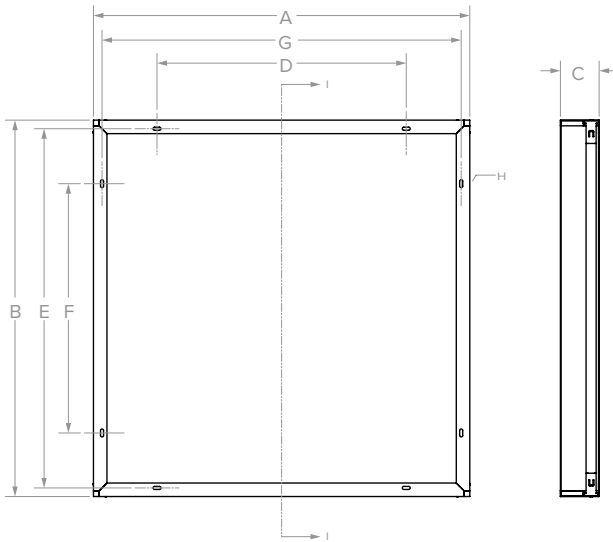
DATE: _____ LOCATION: _____

TYPE: _____ PROJECT: _____

CATALOG #: _____

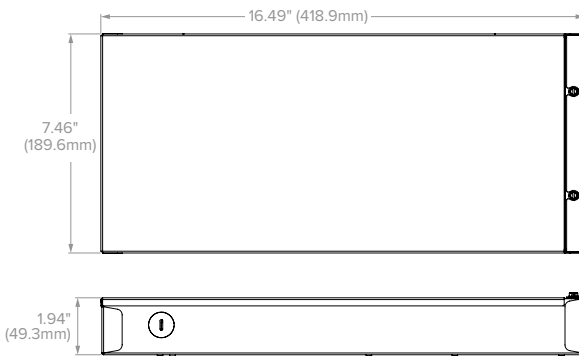
ACCESSORY DIMENSIONS

Surface Mount PSMK Dimensions - 2x2 example see below chart for all size dimensions

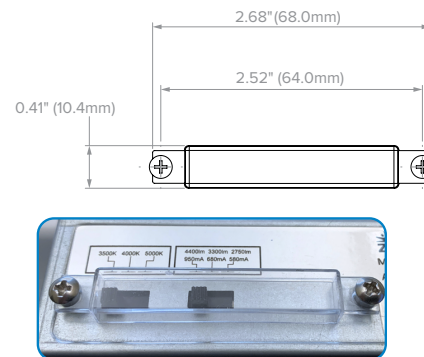


Product Code	Description	A (in)	B (in)	C (in)	D (in)	E (in)	F (in) Between Holes	G (in)
93302543	PSMK14 1x4 SMK - 63mm	12.32	48.09	2.48	-	46.91	16.0 (3 holes)	11.14
93302544	PSMK22 2x2 SMK - 63mm	24.25	24.25	2.48	16.0	23.06	16.0	23.06
93302545	PSMK24 2x4 SMK - 63mm	24.25	48.09	2.48	16.0	46.91	16.0 (3 holes)	23.06
93313908	DSMK14 1x4 SMK - 110mm	12.35	48.07	4.34	-	46.91	16.0 (3 holes)	11.14
93313898	DSMK22 2x2 SMK - 110mm	24.27	24.27	4.34	16.0	23.06	16.0	23.06
93313899	DSMK24 2x4 SMK - 110mm	24.27	48.07	4.34	16.0	46.91	16.0 (3 holes)	23.06

Control Box



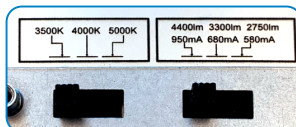
PSC Switch Cover



ADDITIONAL INFO

LSCS Switches Default Settings

Maximum Lumen Output and 3500K CCT





Columbia
LIGHTING

CBT-LSCS
BACK-LIT TROFFER

DATE: _____ LOCATION: _____

TYPE: _____ PROJECT: _____

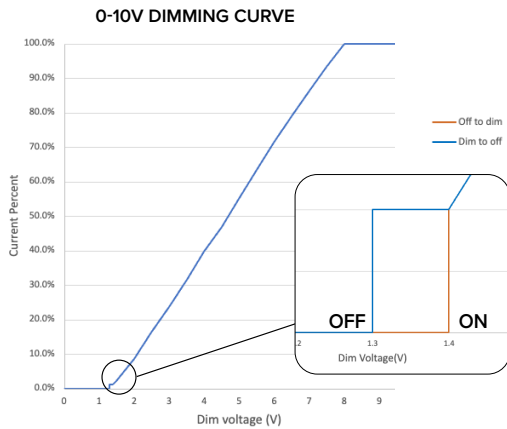
CATALOG #: _____

0-10V DIMMER COMPATIBILITY

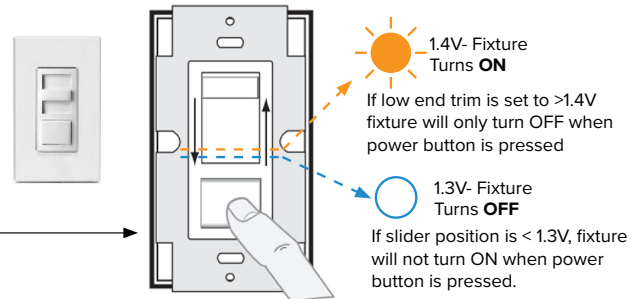
Fixture operates at 120-277V. 0-10V dimmable driver, down to 1%.
1V minimum low-end trim recommended when paired with a 0-10V dimmer.
List of suitable dimmers based on laboratory testing. Compatibility must be verified by customer before install. Columbia cannot guarantee dimmer compatibility

- NX Lighting Controls RSD710
- LUTRON DVTV
- Synergy® ISD BC120/277
- NX Lighting Controls PSD710
- LUTRON NTSTV-DV
- Enerlites® 51300L
- Lutron® Diva DVST
- Eaton® DF10P-C1

ADDITIONAL DIMMING INFORMATION: DIMMING CURVE



WALLBOX DIMMER EXAMPLE



DIM TO DARK FUNCTION

Dimmer Low End Trim Settings	ON/OFF Operation		Dimmer Control Range
> 1.4V	ON/OFF Toggle power control only		Full output to Low End Trim Setting
1.3V to 1.4V	ON Adjust dimmer control above 1.4V + Set power control to ON	OFF Set power control to OFF	Full output to Low End Trim Setting
< 1.3V	ON Adjust dimmer control above 1.4V + Set power control to ON	OFF Set power control to OFF or Adjust dimmer below 1.3V level	Full output to OFF



LED COMBINATION EXIT/EMERGENCY LIGHT

DATE: _____ LOCATION: _____
 TYPE: _____ PROJECT: _____
 CATALOG #: _____

tradeSELECT®



FEATURES

- LED life-cycle exceeding 10 years
- Red or Green field selectable exit models
- Dual-voltage 120 or 277V AC input
- Remote capacity or extended runtime option
- Damp Location Listed 20°C to 30°C (68°F to 86°F)
- Provided with test switch and AC-On indicator
- Remote Capacity (RC) models have a minimum runtime of 120 minutes when no remotes are installed



SPECIFICATIONS

CONSTRUCTION

- The white or black housing is made of high impact UL flame rated thermoplastic with UV protection
- Universal single or double face

INSTALLATION

- Snap together canopy, housing and covers with removable chevrons for quick and easy installation

ELECTRICAL

- The remote capacity option will run 2 CIR/ COR single remote lamp-heads or 1 double CIR/COR remote
- Also available with self-test/self-diagnostics to monitor battery/charger failure, battery disconnect and lamp failure

CERTIFICATIONS

- UL924 Listed for Damp Location
- NFPA 101 and NFPA 70
- OSHA
- CEC T20 Compliant

SELF-DIAGNOSTIC FEATURES

- Fault identification for battery, charger, LED integral lamps and remotes
- Self-Testing monthly and annual for 90 minutes
- Manual Testing for 30 second, 15 minutes and 90 minutes

WARRANTY

- 2 year full unit warranty

ORDERING GUIDE

Catalog Number	Description	Accessories (Order Separately)
CCRG	White Finish, Combination Exit/Emergency Light, Univ. Face, Selectable Red or Green LED, NiCad Battery, CEC T20 Compliant	WGEL Wireguard 8"H x 20"W x 8" D
CCRGB	Black Finish, Combination Exit/Emergency Light, Univ. Face, Selectable Red or Green LED, NiCad Battery, CEC T20 Compliant	
CCRGRC	White Finish, Combination Exit/Emergency Light, Univ. Face, Selectable Red or Green LED, Remote Capacity, NiMh Batt., CEC T20 Compliant	CIR Series Matching LED Indoor Remote Heads
CCRGRCB	Black Finish, Combination Exit/Emergency Light, Univ. Face, Selectable Red or Green LED, Remote Capacity, NiMh Batt., CEC T20 Compliant	
CCR	White Finish, Combination Exit/Emergency Light, Universal Face, Red Letters, NiCad Battery, CEC T20 Compliant	COR Series Matching LED Outdoor Remote Heads
CCRB	Black Finish, Combination Exit/Emergency Light, Universal Face, Red Letters, NiCad Battery, CEC T20 Compliant	
CCG	White Finish, Combination Exit/Emergency Light, Universal Face, Green Letters, NiCad Battery, CEC T20 Compliant	
CCGB	Black Finish, Combination Exit/Emergency Light, Universal Face, Green Letters, NiCad Battery, CEC T20 Compliant	
CCRRRC	White Finish, Combination Exit/Emergency Light, Universal Face, Red Letters, Remote Capacity, NiMh Batt., CEC T20 Compliant	
CCRRRCB	Black Finish, Combination Exit/Emergency Light, Universal Face, Red Letters, Remote Capacity, NiMh Batt., CEC T20 Compliant	
CCGRC	White Finish, Combination Exit/Emergency Light, Universal Face, Green Letters, Remote Capacity, NiMh Batt., CEC T20 Compliant	
CCRS D	White Finish, Combination Exit/Emergency Light, Universal Face, Red Letters, Self-Test/Self-Diagnostics, NiCad Battery, CEC T20 Compliant	
CCGSD	White Finish, Combination Exit/Emergency Light, Universal Face, Green Letters, Self-Test/Self-Diagnostics, NiCad Battery, CEC T20 Compliant	
CCRRCS D	White Finish, Combination Exit/Emergency Light, Universal Face, Red Letters, Self-Test/Self-Diagnostics, NiMh Batt., Remote Capacity, CEC T20	
CCGRCS D	White Finish, Combination Exit/Emergency Light, Universal Face, Green Letters, Self-Test/Self-Diagnostics, NiMh Batt., Remote Capacity, CEC T20	

Note: Remote Capacity Exit will only power Compass Indoor and Outdoor Remote (CIR and COR Series)



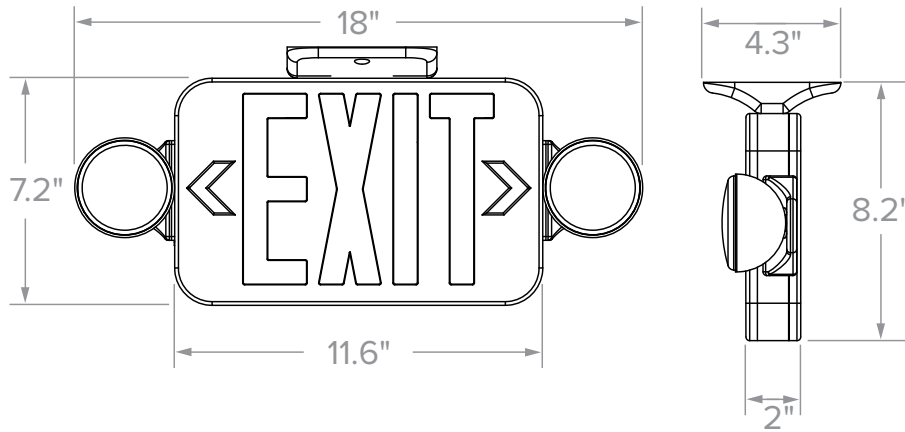
LED COMBINATION EXIT/EMERGENCY LIGHT

DATE: _____ LOCATION: _____

TYPE: _____ PROJECT: _____

CATALOG #: _____

DIMENSIONS



Single Carton Weight	2.5lbs.
Master Carton Quantity	6 each

ENERGY CONSUMPTION

	120VAC	277VAC
CCRG	3.9W	4.2W
CCRGRC	4.4W	4.8W
CCR	4.12W	3.20W
CCG	3.22W	3.18W
CCRRC	4.00W	4.06W
CCGRC	4.10W	4.28W

ACCESSORIES



CIRS

CIRD

CORD

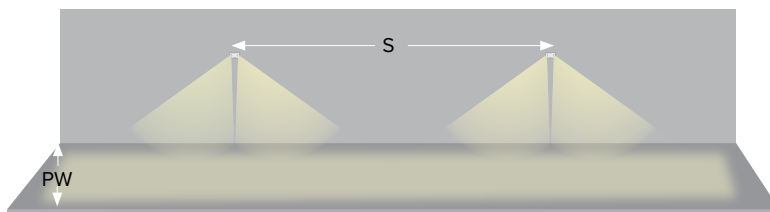
CORS

SELF DIAGNOSTIC FEATURES

SELF-DIAGNOSTIC FEATURES

- Fault identification for battery, charger, LED integral lamps and remotes
- Self-Testing monthly and annual for 90 minutes Manual Testing for 30 second, 15 minutes and 90 minutes

APPLICATION INFORMATION



1 fc Average		
Cat #	Path Width (PW)	Spacing (S)
CC	6'	16'
CCSQ	6'	17'

Note: Meets Life Safety Code minimum illuminance of 0.1 fc and average illuminance of 1.0 fc. Assumes open space with no obstructions, ceiling height of 9' and reflectances of 80/50/20. Photometry files available on the website.



ADVANTAGE

ENVIRONMENTAL LIGHTING



CATALOG #:

PROJECT:

TYPE:

LCF

**CORNER SURFACE
MOUNT LED
LUMINAIRE**



The LCF Series is an architecturally designed surface mount LED fixture. It is available for continuous run mounting. The LCF utilizes the latest in LED technology to deliver high efficacy lumen output and a long lifespan.

APPLICATIONS: The LCF Series is designed to be a high quality, energy efficient LED fixtures for use in corridors, stairwells, dormitories and other applications with low ceiling height. The LCF Series is ideal for sports facilities, commercial or institutional applications.

CONSTRUCTION: The fixture is constructed of a 4" wide heavy gauge steel body. The fixture is available in any run length within 1' increments. Heavy duty housing crimped along sides for extra rigidity and straight alignment. Tamper-Proof screws available. Stainless Steel housing available.

OPTICAL SYSTEM: The fixture is provided with a precision formed, high efficiency reflector designed to direct the light downward and outward into usable horizontal illumination. The symmetrical reflector provides exceptional downward throw.

ELECTRICAL SYSTEM: Electronic drivers are available for 120/277V applications. Long-life LED system rated for >100K life hours (L70 @ 45°C). Complies with federal energy efficiency standards.

CONTROLS: The fixture is compatible with 0-10V dimming controls, 0-10V dimming driver included standard. 50% step dimming is available upon request.

MOUNTING: This fixture is designed for corner / wall / ceiling mounting, where the wall and ceiling meet.

LISTINGS: Independently tested to IESNA LM-79 and LM-80 specifications. UL and cUL Listed. Damp location rated. Made in Fort Worth, TX.

WARRANTY: 5-Year Limited Warranty. Complete warranty and terms located at www.aelnow.com/warranty.

Ordering Information on Next Page



Notes:



CASTING NUMBER:
PROJECT:
TYPE:

ORDERING INFORMATION

Example: LCF-2-35-25R-S-M-W-TPS

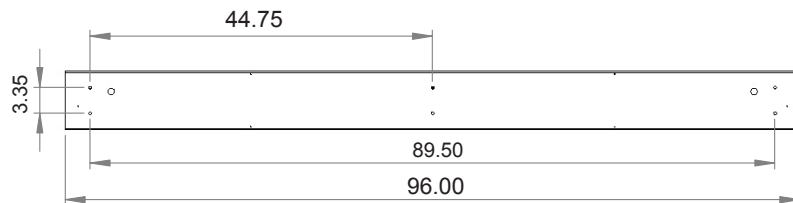
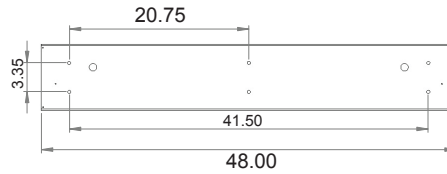
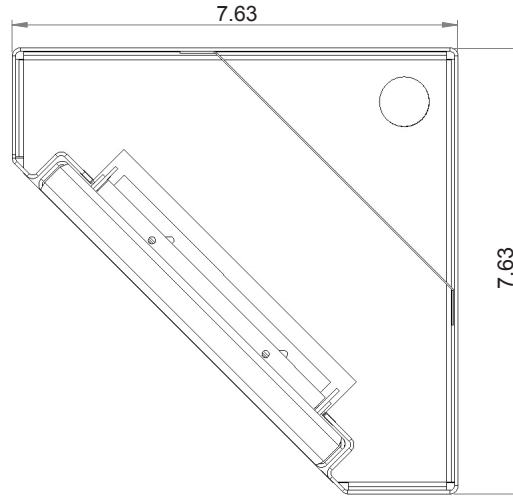
SERIES	LENGTH (FT.)	CCT	ILLUMINATION LEVEL	HOUSING/DOORFRAME	INNER LENS	OUTER LENS
LCF	2 2' 4 4' 8 8' XX Length in Ft.	30 3000K 35 3500K 40 4000K 50 5000K	2L 2000 Lumens 4.5L 4500 Lumens 8L 8000 Lumens 11L 11000 Lumens 12L 12000 Lumens 13L 13000 Lumens 16L 16000 Lumens XX Custom Lumens	B14 14 Gauge Cold Roll Steel B16 16 Gauge Cold Roll Steel SH14 14 Gauge Stainless Steel SH16 16 Gauge Stainless Steel	N No Lens 125C .125 Prismatic Acrylic (inverted) CP25 .125 Prismatic Polycarbonate CP87 .187 Prismatic Polycarbonate TG .156 Prismatic Tempered Glass 156C .156 Prismatic Acrylic (inverted)	N No Lens 125P .125 Clear Polycarbonate 156P .156 Clear Polycarbonate 187P .187 Clear Polycarbonate 25P .250 Clear Polycarbonate 375P .375 Clear Polycarbonate F1 .187 Clear Tempered Glass G1 .250 Clear Tempered Glass H1 .375 Clear Tempered Glass J1 .500 Clear Tempered Glass

FINISH	VOLTAGE	DRIVER	OPTIONS
W White SP Custom AM Antimicrobial Paint	M Multi-Volt (120-277V)	BLANK 0-10V 1% Dimming Driver (included standard) CD5 0-10V 5% to Off Dimming Driver EDN Electronic Driver Non-Dimming DALI 1% Dimming Driver LDE1 Lutron Hi-lume 1% EcoSystem LED driver with Soft-on, Fade-to-Black dimming technology	14EBL 14 Watt Emergency Ballast EC Emergency Circuit VDO Lutron Vive Integral RF controller with daylight and occupancy sensing. WL IP65 Rated NL Night Light KOL Knockout Left Side1 KOR Knockout Right Side1 KO2 Knockouts Both Sides1 90 90 CRI TDF Tethered door frame WL Wet Location IPH Full Length Internal Piano Hinge Door Frame



CASTING NUMBER:
PROJECT:
TYPE:

DIMENSIONS



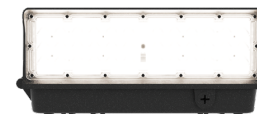


Project Name: _____ Part Number: _____ Type: _____



WALL PACK SERIES
FEATURES

- Architectural Wedge die-cast aluminum housing
- Bronze polyester powder coat finish (std.)
- Custom and factory select colors available
- Full Cutoff Type III & Type IV Distributions
- 3,000 - 14,000 Delivered Lumens with up to 147 LPW
- 3000K, 4000K & 5000K CCT Selectable via Integral selector
- Lumen Selectable - 3 lumen levels per SKU
- 120-277V Universal Voltage or 277-480V High Voltage
- 0-10V Dimmable Driver (std.)
- 6kV Surge protection
- >70 Color Rendering Index (CRI)
- Calculated L70 >100,000 hrs @ 25°C per TM-21-11
- Operating Ambient Temperature: -40°C to +40°C (-40°F to 104°F)
- Bluetooth Programmable PIR Occupancy, Photocell, & Bi-Level Dimming Sensors Available
- Five ½" coin plugs on sides for conduit or electronic photocell
- Battery backup & cold weather battery options available
- IP65 Rated Luminaire
- IDA Dark Sky Compliant; 3000K is IDA Listed
- 5 Year Warranty; 10 Year Optional Warranty
- ETL Listed for Wet Locations
- DesignLights Consortium® Premium Qualified Luminaire®



407-478-3759
www.ilp-inc.com



SUITABLE APPLICATIONS

- Exterior Wall Lighting
- Building Entrances
- Pedestrian Walkways
- Multi-use Facilities
- Industrial Facilities
- Parking Lots
- Storage Facilities
- Education
- Multi-Family
- Retail
- Office

ORDERING GUIDE

SERIES	LUMENS	VOLTAGE	CCT	DISTRIBUTION	FINISH	WARRANTY	CONTROL OPTIONS
VWM	3L/4L/5L^{4,6} 3/4/5,000 lm Selectable	U 120-277v	CCTS^{4,6} Selectable CCT (3000K, 4000K, 5000K)	T3 Type 3	BRZ Bronze	(Blank) 5YR	FSP-311/Lx^{4,5} Legrand FSP-311 120/277V Sensor (X = Mounting Height 3=10-20', 7=20-40')
	3L 3,000 lm	HV⁷ 277-480v		T4 Type 4	BLK¹ Black	10 Year² 10YR	FSP-321/Lx⁵ Legrand FSP-321 120-480V Sensor (X = Mounting Height 3=10-20', 7=20-40')
	4L 4,000 lm				SLV¹ Silver		
	5L 5,000 lm				WHT¹ White		
	8L/11L/14L^{4,6} 8/11/14,000 lm Selectable						
	8L 8,000 lm						
	11L 11,000 lm						
	14L 14,000 lm						

OPTIONS - FACTORY INSTALLED | **SHIP-WITH ACCESSORIES**

SP1^{3,4}	10KA Max 120-277V Surge Protector	+PCU⁴	Electronic UNIV Photocell (120-277V)
SP2^{3,4}	20KA Max 120-277V Surge Protector		
SP1HV	10kA Max 480V Surge Protector		
SP480V2	20kA Max 480V Surge Protector		
FUSE/SXXX	Fuse - Single-line Voltage (120, 277 or 347)		
FUSE/DXXX	Fuse - Dual-line Voltage (208V, 240V or 480V)		
EM14^{3,4}	14W CEC Title 20 Battery Backup		
EMCT6^{3,4}	6W Cold Temp Battery Backup -40°F (-40°C)		
EMCT8^{3,4}	8W Cold Temp Battery Backup -22°F (-30°C)		
EMCT14^{3,4}	14W Cold Temp Battery Backup -4°F (-20°C)		

¹ Bronze finish standard, Consult factory for pricing & availability of other finishes; subject to longer lead-times
² Requires additional surge protection (SP1, SP1HV, SP2, SP480V2); For additional details see general terms and conditions
³ SP1/SP2 specified in combination with Battery Backups, separate surge protectors are required per electrical line
⁴ Not Available with HV

⁵ Requires Bluetooth Enabled device for programming (provided by others)
⁶ Highest Lumen Package and 4000K are standard settings
⁷ HV Option removes lumen and CCT selectability. Must specify lumen package and CCT (30/40/50); Does not qualify for DLC
⁸ Not all versions of this product may be DLC Premium qualified. Please check the DLC website at designlights.org/QPL to confirm which versions qualify.



Columbia
LIGHTING

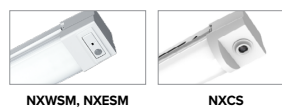
MPS

MULTIPURPOSE LINEAR

DATE: _____ LOCATION: _____
 TYPE: _____ PROJECT: _____
 CATALOG #: _____

FEATURES

- Uniform end-to-end lens brightness with optional continuous row mounting that gives an uninterrupted ribbon of light
- Superior color consistency within a 3-step MacAdam ellipse and greater than 80 CRI
- Available in 2', 4' or 8' lengths
- Optional 90 or 120 min integral emergency battery pack (CEC Title 20 Compliant)
- Curved and flat acrylic and curved polycarbonate lens options or a no lens (NL) version. Wide and Narrow distributions available
- Modular replaceable LED boards and driver accessible for future maintenance or upgrades
- Surface mount, wall mount or suspended mounting



SERVICE PROGRAMS



CONTROLS TECHNOLOGY



Sizes	(B) Width Inches (mm)		(C) Height Inches (mm)		Weight lbs (kg)
	Curve Lens	Flat Lens	Curve Lens	Flat Lens	
2'					4.0 (1.8)
4'	3.11 (79)	3.00 (76)	3.06 (78)	2.44 (62)	6.0 (2.7)
8'					12.0 (5.4)

SPECIFICATIONS

CONSTRUCTION

- Housing, wireway, and ends are formed from code-gauge steel
- Housing components act as heat sink for LED heat dissipation
- White painted parts are treated with a five stage phosphate bonding process and finished with high reflectance baked enamel

OPTICS

- Available with or without frosted lens

INSTALLATION

- Knockouts are provided for electrical access and mounting

ELECTRICAL

- Long-life LEDs are rated for 60,000 hours at L80 lumen maintenance
- Driver options include fixed output for on/off function, step dimming (high/low/off), or continuous 0-10V dimming
- Superior drivers and long-life LEDs provide quality illumination for prolonged service life

ELECTRICAL (CONTINUED)

- Drivers < 10% THD at 120V, power factor > 0.95

CONTROLS

- NX Lighting Controls provides options for standalone and networked integrated sensor with wired or wireless connectivity for NX system deployments
- NX Connect is a standalone wireless deployment for room based applications using wireless enabled and battery operated devices
- SpectraSync(TM) Color Tuning Technology offers a tunable white solution and integrates seamlessly into a variety of control systems

CERTIFICATIONS

- All luminaires are built to UL 1598 standards, and bear appropriate cCSAus labels
- Emergency battery pack options are California Energy Commission (CEC) Title 20 compliant

CERTIFICATIONS (CONTINUED)

- CSA certified to UL 924 standards with battery pack or DTS (Dimming Bypass Module) options
- Adheres to LM79, LM80, and TM21 industry standards
- The DTS, Dimming Bypass Module, is for emergency circuit control loads including sensors and wireless systems CSA certified to UL 924. See wiring diagram.
- DLC® (DesignLights Consortium) Qualified, Please refer to the DLC website for specific product qualifications at www.designlights.org
- Product configurations not including battery packs or controls meet federal procurement law requirements under the Trade Agreements Act (FAR 52.225-11) [See Buy America\(n\) Solutions](http://www.buy.america.gov)

WARRANTY

- 5 year warranty

STOCK GUIDE

Catalog No.	UPC	Description	Weight (lbs)	Pallet Qty	DLC QPL
<input type="checkbox"/> MPS4-35ML-CW-EDU	078531138714	4', 80 CRI, 3500K, 4556 Lumens, Curved Frosted Acrylic Wide Distribution Lens, 0-10V Dimming Driver, 120-277V, 40W, 114 LPW, White	6.1	56	PKQ78077
<input type="checkbox"/> MPS4-35ML-FW-EDU	603134946413	4', 80 CRI, 3500K, 4230 Lumens, Flat Frosted Acrylic Wide Distribution Lens, 0-10V Dimming Driver, 120-277V, 31W, 134 LPW, White	6.1	56	P9P5CV62
<input type="checkbox"/> MPS4-40ML-CW-EDU	078531138721	4', 80 CRI, 4000K, 4614 Lumens, Curved Frosted Acrylic Wide Distribution Lens, 0-10V Dimming Driver, 120-277V, 40W, 115 LPW, White	6.1	56	P04CB2S2
<input type="checkbox"/> MPS4-40ML-FW-EDU	603134946420	4', 80 CRI, 3500K, 4277 Lumens, Flat Frosted Acrylic Wide Distribution Lens, 0-10V Dimming Driver, 120-277V, 31W, 135 LPW, White	6.1	56	PLLGKQUG
<input type="checkbox"/> MPS8-50ML-CW-EDU	078531138752	8', 80 CRI, 5000K, 9532 Lumens, Curved Frosted Acrylic Wide Distribution Lens, 0-10V Dimming Driver, 120-277V, 80W, 119 LPW, White	13.6	56	PSCRMP7L
<input type="checkbox"/> CSHC	078531000868	Chain Hanging Assembly - (2) 14" Chains and V-Hooks	0.2	N/A	N/A





Notes:



MPS
MULTIPURPOSE LINEAR

DATE: _____ LOCATION: _____
TYPE: _____ PROJECT: _____
CATALOG #: _____

Gray Shading = Service Program Limit of 150 Luminaires **QS15**

ORDERING GUIDE

Example: MPS4-40ML-CW-EDU

MPS			Color Temp		Nominal Lumens		Lens		Distribution		Driver ⁴	
Model	Size ¹	CRI										
MPS MultiPurpose Linear	2' 2"	Blank >80	30	3000K	XW	4' (2600), 8' (5200)	C	Curve, Frosted Acrylic	N	Narrow Distribution ³	E	Fixed Output
	4' 4"	9 90	35	3500K	VW	2'(1600), 4'(3300), 8' (6600)	F	Flat, Frosted Acrylic	W	Wide Distribution	ED	0-10V Dimming
	8' 8"		40	4000K	MW	2'(2200), 4'(3600), 8' (7200)	NL	Less Lens			ED1	0-10V 1% Dimming
			50	5000K	LW	2'(2400), 4'(4000), 8' (7900)	CP	Curve, Frosted Polycarbonate			EDD	0-10V Dim-to-Off
			2765T	2700K-6500K SpectraSync™ Tunable White ²	ML	2'(3400), 4'(4500), 8' (8900)					ESD	Step Dimming ⁵
					HL	2'(3700), 4'(5800), 8' (11,500)					LUTH	Hi-lume 1% EcoSystem LED driver with Soft-on, Fade-to-Black dimming technology ^{5,6}
					VL	4' (6800), 8' (13,500)					DALIP	Powered by DALI ⁵
					XL	4' (7800), 8' (15,500)						

Voltage	Options
U 120V-277V	ELL14 10W Emergency Battery Pack (CEC Title 20 Compliant) Installed ^{5,7,8,9}
347 347V (E, ED, ED1 only)	ELL14H2 9W Emergency Battery Pack (CEC Title 20 Compliant) Installed, 2-Hour Run Time ^{5,7,8,9,10}
	GLR Fast Blow Fuse
	GTD Generator Transfer Device ^{5,11}
	DTS Dimming Bypass Module ^{5,12}
	MPSCE Injection Molded ABS Material Curve Endcap ¹³
	MPSCE-MB Injection Molded ABS Material Curve Endcap, Matte Black ¹⁴
	MPSFE Injection Molded ABS Material Flat Endcap ¹³
	MPSFE-MB Injection Molded ABS Material Flat Endcap, Matte Black ¹⁴
	MB Matte Black
	SLV Silver
	PAF Painted After Fabrication
	MST MASTER fixture that controls one or more SATELLITE fixtures in a continuous row application ^{15,16,17,18,19,20,21}
	SAT SATELLITE fixture controlled by MASTER fixture in a continuous row application ^{16,17,18,19,20,21}
	INT Intermediate (provides ends with wiring access for continuous row mounting) ^{20,21,22}
	EOR End of Row (provides end wiring access for continuous row mounting) ^{20,21,22}

Control Options ^{19,23,24,25}
NX Lighting Controls
<u>Networked Wireless</u>
NXW NX Networked Wireless Radio Module NXRM2 and Bluetooth Programming, without Sensor ^{26,27}
NXWSM NX Networked Wireless Enabled Integral NXSMP2-SMI PIR Occupancy Sensor with Automatic Dimming Photocell and Bluetooth Programming ^{26,27}
<u>Networked Wired</u>
NXE NX Wired Dual RJ45 SmartPORTS, without Sensor ^{26,27}
NXESM NX Wired Dual RJ45 SmartPORTS & Integral NXSMP2-SMI PIR Occupancy Sensor with Automatic Dimming Photocell and Bluetooth Programming ^{26,27}
<u>Independent Control</u>
NXCS NX Connect NXC-WIZ20 Wireless Indoor Occupancy & Photocell Sensor ^{5,28,29}
BTSL Bluetooth Programmable, BTSMP-LMI PIR Occupancy Sensor with Automatic Dimming Photocell and 360° Lens ^{26,27}
Other Lighting Controls
<u>Networked Wireless</u>
LVR Lutron Vive Integral Fixture Control DFCSJ-OEM-RF (RF only) ^{5,28,29,30}
LVS Lutron Vive Integral Fixture Control DFCSJ-OEM-OCC (RF with daylight and occupancy sensing) ^{5,28,29,30}
AWNR Lutron Athena Integral Fixture Control A-WN-DO1-RF-WH (RF only) ^{5,26,29}
<u>Independent Control</u>
ODPG Occupancy and Daylight Sensors w/ Grouping, Philips SNS200 ^{5,28,29}
ZLS05 Occupancy & Daylight Sensor, Leviton ZLS05 ^{5,26,29}

Notes:
 1 Refer to Row Mount Ordering Instructions for Continuous Row applications
 2 Refer to SpectraSync and NX Availability table
 3 Only available with Curve, Frosted Acrylic lens option
 4 Dimming curves may vary dependent upon lumen output and driver option chosen. Separate dimming circuits are recommended if multiple driver options are chosen
 5 Not available in 347V
 6 Not available with VL or XL lumen packages
 7 To determine lumen output in emergency mode, multiply the battery pack wattage by the fixture lumens per watt (LPW)
 8 Not available with 2ft fixture. Not available with thru wire and XL lumen package on 4ft and 8ft fixtures
 9 Emergency battery pack ambient temperature: 0°C min, 25°C max
 10 Not available for use in Canada
 11 Only available with E, Fixed Output driver option
 12 For emergency circuit control loads including sensors and wireless systems CSA certified to UL 924. See wiring diagram. Cannot be combined with SpectraSync or Controls options in 2ft fixture
 13 PAF option included when this option is chosen
 14 Only available with MB or ZT finish options

Continuous Row Options
 15 Not available with INT option
 16 One MST fixture can control multiple SAT fixtures but a SAT fixture can only be controlled by one MST fixture
 17 Control factory for NX Lighting Controls applications
 18 Not available with LUTH
 19 Not available with DTS or GTD
 20 All fixtures in a continuous row application must use the same driver type and voltage
 21 Quick connect wiring harness included
 22 Suspension support required at every fixture coupling, see Mounting Accessories Guide
All Controls
 23 Control Options include injection molded ABS end cap
 24 Dry location rated only
 25 Minimum ambient temperature: 0°C (32°F)
NX Lighting Controls
 26 Only available with ED, ED1 or EDD driver options
 27 Not available in 2ft when combined with SpectraSync
Other Lighting Controls Options
 28 Only available with DALIP driver option
 29 Not available with SpectraSync
 30 Vive is a trademark of Lutron Electronics Co., Inc.



MPS
MULTIPURPOSE LINEAR

DATE: _____ LOCATION: _____

TYPE: _____ PROJECT: _____

CATALOG #: _____

DELIVERED LUMENS

STANDARD EFFICACY PERFORMANCE TABLE						
FIXTURE	COLOR	LENS	DISTRIBUTION	LUMENS	INPUT WATTS	LPW
MPS4-XW	3500K	CURVE	WIDE	2,544	18.1	141
		CURVE	NARROW	2,490	18.1	138
		FLAT	WIDE	2,460	18.1	136
		No Lens		2,719	18.1	150
	4000K	CURVE	WIDE	2,573	18.1	142
		CURVE	NARROW	2,518	18.1	139
		FLAT	WIDE	2,488	18.1	137
		No Lens		2,750	18.1	152
MPS4-VW	3500K	CURVE	WIDE	3,223	23.6	137
		CURVE	NARROW	3,221	23.6	137
		FLAT	WIDE	3,073	23.5	131
		No Lens		3,454	23.6	146
	4000K	CURVE	WIDE	3,258	23.6	138
		CURVE	NARROW	3,256	23.6	138
		FLAT	WIDE	3,107	23.5	132
		No Lens		3,492	23.6	148
MPS4-MW	3500K	CURVE	WIDE	3,541	26.7	133
		CURVE	NARROW	3,504	26.7	131
		FLAT	WIDE	3,453	26.8	128
		No Lens		3,811	26.7	143
	4000K	CURVE	WIDE	3,580	26.7	134
		CURVE	NARROW	3,543	26.7	133
		FLAT	WIDE	3,491	26.8	130
		No Lens		3,853	26.7	144
MPS4-LW	3500K	CURVE	WIDE	3,878	27.3	142
		CURVE	NARROW	3,836	27.4	140
		FLAT	WIDE	3,753	27.4	137
		No Lens		4,172	27.4	152
	4000K	CURVE	WIDE	3,921	27.3	144
		CURVE	NARROW	3,878	27.4	142
		FLAT	WIDE	3,794	27.4	138
		No Lens		4,218	27.4	154
MPS4-ML	3500K	CURVE	WIDE	4,419	31.6	140
		CURVE	NARROW	4,370	31.6	138
		FLAT	WIDE	4,230	31.6	134
		No Lens		4,784	31.7	151
	4000K	CURVE	WIDE	4,468	31.6	141
		CURVE	NARROW	4,418	31.6	140
		FLAT	WIDE	4,277	31.6	135
		No Lens		4,837	31.7	153
MPS4-HL	3500K	CURVE	WIDE	5,658	41.7	136
		CURVE	NARROW	5,592	41.7	134
		FLAT	WIDE	5,393	41.5	130
		No Lens		5,489	41.8	131
	4000K	CURVE	WIDE	5,720	41.7	137
		CURVE	NARROW	5,654	41.7	136
		FLAT	WIDE	5,452	41.5	131
		No Lens		5,549	41.8	133
MPS4-VL	3500K	CURVE	WIDE	6,643	47.1	141
		CURVE	NARROW	6,571	47.1	140
		FLAT	WIDE	4,983	36.3	137
		No Lens		7,217	47.2	153
	4000K	CURVE	WIDE	6,717	47.1	143
		CURVE	NARROW	6,644	47.1	141
		FLAT	WIDE	5,038	36.3	139
		No Lens		7,297	47.2	155
MPS4-XL	3500K	CURVE	WIDE	7,646	56.4	136
		CURVE	NARROW	7,522	56.4	133
		FLAT	WIDE	7,325	56.6	129
		No Lens		8,273	56.6	146
	4000K	CURVE	WIDE	7,732	56.4	128
		CURVE	NARROW	7,608	56.4	135
		FLAT	WIDE	7,408	56.6	131
		No Lens		8,366	56.6	148
MPS8-XW	3500K	CURVE	WIDE	5,089	36.2	141
		CURVE	NARROW	4,980	36.2	138
		FLAT	WIDE	4,921	36.2	136
		No Lens		5,439	36.2	150
	4000K	CURVE	WIDE	5,146	36.2	142
		CURVE	NARROW	5,037	36.2	139
		FLAT	WIDE	4,977	36.2	137
		No Lens		5,500	36.2	152



Columbia
LIGHTING

MPS

MULTIPURPOSE LINEAR

DATE: _____ LOCATION: _____

TYPE: _____ PROJECT: _____

CATALOG #: _____

ORDERING GUIDE (CONTINUED)

Accessories

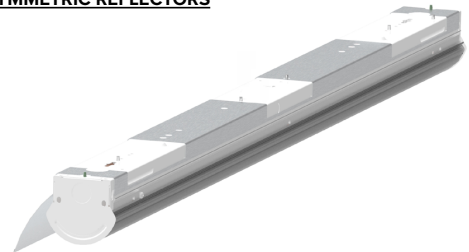
- S18** 18" Stem, Canopy
- SS18** 18" Swivel Stem—45° Swivel
- CM24SCF3-KIT** 24" Adjustable Cable Mounting Kit, 3-wire feed²⁷
- CM48SCF3-KIT** 48" Adjustable Cable Mounting Kit, 3-wire feed²⁷
- CM24NF-KIT** Single Point Non-Feed Cable Mount with Canopy, Single-24"²⁷
- CM48NF-KIT** Single Point Non-Feed Cable Mount with Canopy, Single-48"²⁷
- CSHC** Chain Hanger Assembly
- MPSZT** Zip Tee Hanger - 1½" Spacer on T-Bar Ceiling
- MPSTH** Slide Tong Hanger
- MPSCRK-C** Continuous Row Kit, Curve
- MPSCRK-F** Continuous Row Kit, Flat
- MPSWG2** 2' Wire Guard
- MPSWG4** 4' Wire Guard, two Required for 8' Fixture
- MPSCE** Injection Molded ABS Material Curve Endcap
- MPSCE-MB** Injection Molded ABS Material Curve Endcap, Matte Black
- MPSFE** Injection Molded ABS Material Flat Endcap
- MPSFE-MB** Injection Molded ABS Material Flat Endcap, Matte Black
- REFL-MPS4 STL SLD W16** 4' Symmetric Reflector Solid
- REFL-MPS4 STL SLTD W16** 4' Symmetric Reflector Slotted
- REFL-MPS4 STL SLD ASYMW16** 4' Asymmetric Reflector Solid

SYMMETRIC REFLECTORS



REFL-MPS4 STL SLD W16
4" Symmetric Reflector Solid

ASYMMETRIC REFLECTORS



REFL-MPS4 STL SLD ASYM W16
4" Asymmetric Reflector Solid

CONTINUOUS ROW MOUNT EXAMPLE GUIDE					
Continuous Row Length	MPS4	MPS8	MPSCRK-*	CM**SCF*-KIT	CM**NF-KIT
12' — Option 1	1	1	1	1	1
12' — Option 2	3	0	2	1	1
16' — Option 1	0	2	1	1	1
16' — Option 2	2	1	2	1	2
32' — Option 1	0	4	3	2	1
32' — Option 2	2	3	4	2	1



MPS
MULTIPURPOSE LINEAR

DATE: _____ LOCATION: _____

TYPE: _____ PROJECT: _____

CATALOG #: _____

DELIVERED LUMENS

STANDARD EFFICACY PERFORMANCE TABLE						
FIXTURE	COLOR	LENS	DISTRIBUTION	LUMENS	INPUT WATTS	LPW
MPS4-XW	3500K	CURVE	WIDE	2,544	18.1	141
		CURVE	NARROW	2,490	18.1	138
		FLAT	WIDE	2,460	18.1	136
		No Lens		2,719	18.1	150
	4000K	CURVE	WIDE	2,573	18.1	142
		CURVE	NARROW	2,518	18.1	139
		FLAT	WIDE	2,488	18.1	137
		No Lens		2,750	18.1	152
MPS4-VW	3500K	CURVE	WIDE	3,223	23.6	137
		CURVE	NARROW	3,221	23.6	137
		FLAT	WIDE	3,073	23.5	131
		No Lens		3,454	23.6	146
	4000K	CURVE	WIDE	3,258	23.6	138
		CURVE	NARROW	3,256	23.6	138
		FLAT	WIDE	3,107	23.5	132
		No Lens		3,492	23.6	148
MPS4-MW	3500K	CURVE	WIDE	3,541	26.7	133
		CURVE	NARROW	3,504	26.7	131
		FLAT	WIDE	3,453	26.8	128
		No Lens		3,811	26.7	143
	4000K	CURVE	WIDE	3,580	26.7	134
		CURVE	NARROW	3,543	26.7	133
		FLAT	WIDE	3,491	26.8	130
		No Lens		3,853	26.7	144
MPS4-LW	3500K	CURVE	WIDE	3,878	27.3	142
		CURVE	NARROW	3,836	27.4	140
		FLAT	WIDE	3,753	27.4	137
		No Lens		4,172	27.4	152
	4000K	CURVE	WIDE	3,921	27.3	144
		CURVE	NARROW	3,878	27.4	142
		FLAT	WIDE	3,794	27.4	138
		No Lens		4,218	27.4	154
MPS4-ML	3500K	CURVE	WIDE	4,419	31.6	140
		CURVE	NARROW	4,370	31.6	138
		FLAT	WIDE	4,230	31.6	134
		No Lens		4,784	31.7	151
	4000K	CURVE	WIDE	4,468	31.6	141
		CURVE	NARROW	4,418	31.6	140
		FLAT	WIDE	4,277	31.6	135
		No Lens		4,837	31.7	153
MPS4-HL	3500K	CURVE	WIDE	5,658	41.7	136
		CURVE	NARROW	5,592	41.7	134
		FLAT	WIDE	5,393	41.5	130
		No Lens		5,489	41.8	131
	4000K	CURVE	WIDE	5,720	41.7	137
		CURVE	NARROW	5,654	41.7	136
		FLAT	WIDE	5,452	41.5	131
		No Lens		5,549	41.8	133
MPS4-VL	3500K	CURVE	WIDE	6,643	47.1	141
		CURVE	NARROW	6,571	47.1	140
		FLAT	WIDE	4,983	36.3	137
		No Lens		7,217	47.2	153
	4000K	CURVE	WIDE	6,717	47.1	143
		CURVE	NARROW	6,644	47.1	141
		FLAT	WIDE	5,038	36.3	139
		No Lens		7,297	47.2	155
MPS4-XL	3500K	CURVE	WIDE	7,646	56.4	136
		CURVE	NARROW	7,522	56.4	133
		FLAT	WIDE	7,325	56.6	129
		No Lens		8,273	56.6	146
	4000K	CURVE	WIDE	7,732	56.4	128
		CURVE	NARROW	7,608	56.4	135
		FLAT	WIDE	7,408	56.6	131
		No Lens		8,366	56.6	148
MPS8-XW	3500K	CURVE	WIDE	5,089	36.2	141
		CURVE	NARROW	4,980	36.2	138
		FLAT	WIDE	4,921	36.2	136
		No Lens		5,439	36.2	150
	4000K	CURVE	WIDE	5,146	36.2	142
		CURVE	NARROW	5,037	36.2	139
		FLAT	WIDE	4,977	36.2	137
		No Lens		5,500	36.2	152



MPS

MULTIPURPOSE LINEAR

DATE: _____ LOCATION: _____

TYPE: _____ PROJECT: _____

CATALOG #: _____

DELIVERED LUMENS (CONTINUED)

STANDARD EFFICACY PERFORMANCE TABLE						
FIXTURE	COLOR	LENS	DISTRIBUTION	LUMENS	INPUT WATTS	LPW
MPS8-VW	3500K	CURVE	WIDE	6,446	47.2	137
		CURVE	NARROW	6,442	47.2	136
		FLAT	WIDE	6,146	47	131
		No Lens		6,908	47.2	146
	4000K	CURVE	WIDE	6,517	47.2	138
		CURVE	NARROW	6,513	47.2	138
		FLAT	WIDE	6,214	47	132
		No Lens		6,984	47.2	148
MPS8-MW	3500K	CURVE	WIDE	7,082	53.4	133
		CURVE	NARROW	7,008	53.4	131
		FLAT	WIDE	6,906	53.6	129
		No Lens		7,622	53.4	143
	4000K	CURVE	WIDE	7,160	53.4	134
		CURVE	NARROW	7,085	53.4	133
		FLAT	WIDE	6,982	53.6	130
		No Lens		7,706	53.4	144
MPS8-LW	3500K	CURVE	WIDE	7,756	54.6	142
		CURVE	NARROW	7,672	54.8	140
		FLAT	WIDE	7,506	54.8	137
		No Lens		8,344	54.8	152
	4000K	CURVE	WIDE	7,841	54.6	144
		CURVE	NARROW	7,756	54.8	142
		FLAT	WIDE	7,589	54.8	138
		No Lens		8,436	54.8	154
MPS8-ML	3500K	CURVE	WIDE	8,838	63.2	140
		CURVE	NARROW	8,740	63.2	138
		FLAT	WIDE	8,460	63.2	134
		No Lens		9,568	63.4	151
	4000K	CURVE	WIDE	8,935	63.2	141
		CURVE	NARROW	8,836	63.2	140
		FLAT	WIDE	8,553	63.2	135
		No Lens		9,673	63.4	153
MPS8-HL	3500K	CURVE	WIDE	11,316	83.4	136
		CURVE	NARROW	11,184	83.4	134
		FLAT	WIDE	10,786	83	130
		No Lens		10,978	83.6	131
	4000K	CURVE	WIDE	11,440	83.4	137
		CURVE	NARROW	11,307	83.4	136
		FLAT	WIDE	10,905	83	131
		No Lens		11,099	83.6	133
MPS8-VL	3500K	CURVE	WIDE	13,286	94.2	141
		CURVE	NARROW	13,142	94.2	140
		FLAT	WIDE	9,965	72.6	137
		No Lens		14,433	94.4	153
	4000K	CURVE	WIDE	13,434	94.2	143
		CURVE	NARROW	13,288	94.2	141
		FLAT	WIDE	10,076	72.6	139
		No Lens		14,594	94.4	155
MPS8-XL	3500K	CURVE	WIDE	15,291	112.8	136
		CURVE	NARROW	15,045	112.8	133
		FLAT	WIDE	14,650	113.2	129
		No Lens		16,545	113.2	146
	4000K	CURVE	WIDE	15,464	112.8	137
		CURVE	NARROW	15,215	112.8	135
		FLAT	WIDE	14,816	113.2	131
		No Lens		16,732	113.2	148


Columbia
LIGHTING
MPS

MULTIPURPOSE LINEAR

DATE: _____ LOCATION: _____

TYPE: _____ PROJECT: _____

CATALOG #: _____

AMBIENT TEMPERATURE RATINGS

TEMPERATURE TABLE (C°) – 4' & 8'											
		80 CRI									
		E/ED/ED1		ESDU		ED347		EDD		LUT	
Size	Lumen Package	Ceiling/ Surface Mount	Pendant/ TH Mount	Ceiling/ Surface Mount	Pendant/ TH Mount	Ceiling/ Surface Mount	Pendant/ TH Mount	Ceiling/ Surface Mount	Pendant/ TH Mount	Ceiling/ Surface Mount	Pendant/ TH Mount
2'	VW	35	40	35	40	35	40	35	40	35	40
	MW	35	40	35	40	35	40	35	40	35	40
	LW	35	40	35	40	35	40	35	40	35	40
	ML	35	40	35	40	35	40	35	40	35	40
	HL	30	35	30	35	30	35	30	35	30	35
	XW	35	45	35	45	35	45	30	35	30	35
4'	VW	35	45	35	45	35	45	30	35	30	35
	MW	35	45	35	45	35	45	30	35	30	35
	LW	35	45	35	45	35	45	30	35	30	35
	ML	35	45	35	45	35	45	30	35	30	35
	HL	35	40	35	40	35	40	25	30	30	35
	VL	30	30	30	30	30	30	30	30	—	—
XL*	25	25	25	25	25	25	25	25	—	—	
8'	XW	35	45	35	45	35	45	30	35	30	35
	VW	35	45	35	45	35	45	30	35	30	35
	MW	35	45	35	45	35	45	30	35	30	35
	LW	35	45	35	45	35	45	30	35	30	35
	ML	35	45	35	45	35	45	30	35	30	35
	VL	30	30	30	30	30	30	30	30	—	—
XL*	25	25	25	25	25	25	25	25	—	—	

*XL not available with thru wire

PROJECTED LUMEN MAINTENANCE

Calculation Method	Ambient Temp	25,000 hrs	50,000 hrs	60,000 hrs *
TM-21-11	25C/77F	0.93	0.86	0.84
TM-21-22	25C/77F	0.93	0.86	0.84

* Lumen maintenance values calculated per TM-21 using six times the LM-80 test time for the LED and in-situ thermal testing of the luminaire.



MPS
MULTIPURPOSE LINEAR

DATE: _____ LOCATION: _____

TYPE: _____ PROJECT: _____

CATALOG #: _____

NX LIGHTING CONTROLS



Control Option Ordering Logic & Description		Control Option Functionality									Control Option Components	
		Networkable	Grouping	Scheduling	Occupancy/Motion	Daylight Harvesting	0-10V Dimming	On/Off Control	Bluetooth App Programming			
NX Wireless	NXW	NX Networked Wireless Radio Module NXRM2 and Bluetooth Programming, without Sensor	✓	✓	✓	-	-	✓	✓	✓		NXRM2-H
	NXWSM	NX Networked Wireless Enabled Integral NXSMP2-LMI PIR Occupancy Sensor with Automatic Dimming Photocell and Bluetooth® Programming	✓	✓	✓	✓	✓	✓	✓	✓		NXSMP2-SMI
NX Wired	NXE	NX Wired Dual RJ45 SmartPORTS , without Sensor	✓	✓	✓	-	-	✓	✓	✓ ¹		NXDSP
	NXESM	NX Wired Dual RJ45 SmartPORTS and Integral NXSMP2-SMI PIR Occupancy Sensor with Automatic Dimming Photocell and Bluetooth® Programming	✓	✓	✓	✓	✓	✓	✓	✓		NXDSP NXSMP2-SMI
NX Independent	NXCS	NX Connect NXC-WIZ20 Wireless Indoor Occupancy and Photocell Sensor	-	✓	-	✓	✓	✓	✓	✓ ²		NXC-WIZ20
	BTSL	Bluetooth® Programmable, BTSMP-LMI PIR Occupancy Sensor with Automatic Dimming Photocell and 360° Lens	-	-	-	✓	✓	✓	✓	✓		BTSMP-LMI

1 Requires NXBTC, order separately.
2 Requires use of NX Connect App available for download from Apple app store.

DEFAULT SETTINGS

NX Wireless & Wired	Occupancy Sensor	Enabled
	Occupancy Sensor Sensitivity	7 Minutes
	Occupancy Sensor Timeout	15 Minutes
	Occupied Dim Level	100%
	Unoccupied Dim Level	0% (OFF)
	Daylight Sensor	Disabled
	Bluetooth	Enabled
	2.4GHz Wireless Mesh	Off
	Passcode Factory Passcode: HubbN3T!	Enabled

NX Independent - NX Connect (NXCS)	Settling/Dwell Time	5 sec
	Hold Time	10 min
	Group Hold Time	10 min
	Grace Time	-
	Strategy	Auto ON/OFF
	Occupancy Sensitivity	5 (highest)
	Occupancy Indicator	ON
	Partial Off/Standby	0%
	Background Level	50%
	Task Level	100%
	Daylight Harvesting	-
	Low Ambient Output	250%
	High Ambient Output	OFF

NX Independent - BTSL	Occupancy Sensor	Enabled
	Occupancy Sensor Sensitivity	7
	Occupancy Sensor Timeout	8 Minutes
	Occupied Dim Level	100%
	Unoccupied Dim Level	0% (OFF)
	Daylight Sensor	Disabled



Columbia
LIGHTING

MPS

MULTIPURPOSE LINEAR

DATE: _____ LOCATION: _____

TYPE: _____ PROJECT: _____

CATALOG #: _____

NX LIGHTING CONTROLS (CONTINUED)

PRODUCT IMAGES



**NXWSM
NXESM**



NXCS



BTSL

CONTROLS TECHNICAL SUPPORT

1-800-888-8006 (7:00 am–7:00 pm est)

APP INFORMATION

NX Lighting Controls App



The NX Lighting Controls App is a free to use mobile application for programming both an NX Lighting Controls System or Standalone Bluetooth Sensors. The mobile app allows you to configure devices, discover and setup wireless enabled luminaires and program your NX system settings.



Android



Apple iOS

NX Connect App



The NX Connect mobile App is a free to use mobile application for programming a NX Connect System. The mobile App allows you to discover, configure and share your NX Connect system.



Apple iOS



Columbia
LIGHTING

MPS
MULTIPURPOSE LINEAR

DATE: _____ LOCATION: _____

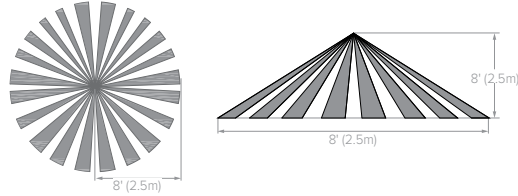
TYPE: _____ PROJECT: _____

CATALOG #: _____

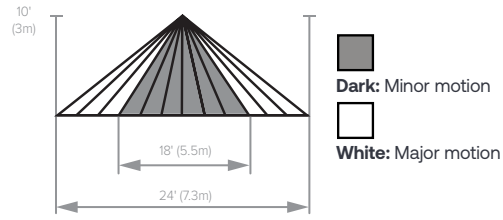
NX LIGHTING CONTROLS (CONTINUED)

COVERAGE PATTERNS

NXWSM/NXESM (NXSMP2-SMI SENSOR)

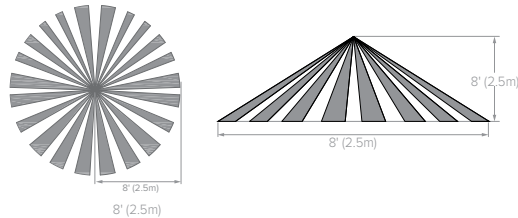


NXCS (NXC-WIZ20 SENSOR)



PIR sensor coverage tested as defined in NEMA WD7-2011

BTSL



OTHER LIGHTING CONTROLS

	Control Option Ordering Logic & Description		Control Option Functionality								Control Option Components	
			Networkable	Grouping	Scheduling	Occupancy/Motion	Daylight Harvesting	0-10V Dimming	On/Off Control	Bluetooth App Programming		
Other	ODPG	Occupancy sensing, daylight harvesting and task tuning in one device. ¹	-	✓	-	✓	✓	✓	✓	✓ ³		SNS200
	LVR	The Vive integral fixture control is a radio frequency (RF) device that controls either Lutron EcoSystem or DALI drivers based on RF input from Pico remote controls, Radio Powr Savr wireless sensors, or Vive hubs. ²	✓	✓	✓	-	-	-	✓	-		DFCSJ-OEM-RF
	LVS	The Vive integral fixture control is a radio frequency (RF) device that controls either Lutron EcoSystem or DALI drivers based on RF input from Pico remote controls, Radio Powr Savr wireless sensors, or Vive hubs. ²	✓	✓	✓	✓	✓	-	✓	-		DFCSJ-OEM-OCC
	AWN-R	The Athena wireless node is a radio frequency (RF) device that enables simple, digital control of individual light fixtures in an Athena control system. ³	✓	✓	-	-	-	✓	✓	-		A-WN-D01-RF-WH
	AWN-S	The Athena wireless node is a radio frequency (RF) device that enables simple, digital control of individual light fixtures in an Athena control system. ³	✓	✓	✓	✓	✓	✓	✓	-		A-WN-D01-OCC-WH

1 Philips MasterConnect App required for field configuration.
 2 Lutron Vive Hub required to enable Networking, Grouping and Scheduling.
 3 Lutron Athena Hub required to enable Networking, Grouping and Scheduling.



MPS

MULTIPURPOSE LINEAR

DATE: _____ LOCATION: _____

TYPE: _____ PROJECT: _____

CATALOG #: _____

SPECTRASYNCTM COLOR TUNING TECHNOLOGY

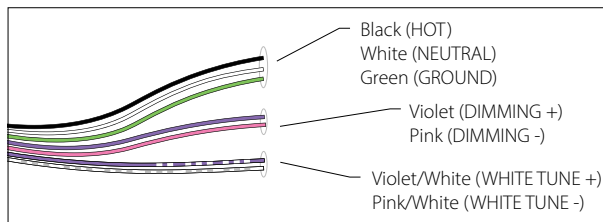
Control your space based on the needs of the application, specific activities throughout the day and preferences of the occupants with distinct SpectraSync™ Color Tuning Technologies.



SPECTRASYNCTM COLOR TUNING TECHNOLOGY		
Mode	Kelvin Range	Description
Tunable White	2700K–6500K	Offers users the ability to tailor CCT to their personal preference, enhancing task visibility, material and colors or the aesthetics of the space

SpectraSync Tunable White

Requires two 0–10V controllers, one for intensity and one for CCT. Minimum 5% dimming.

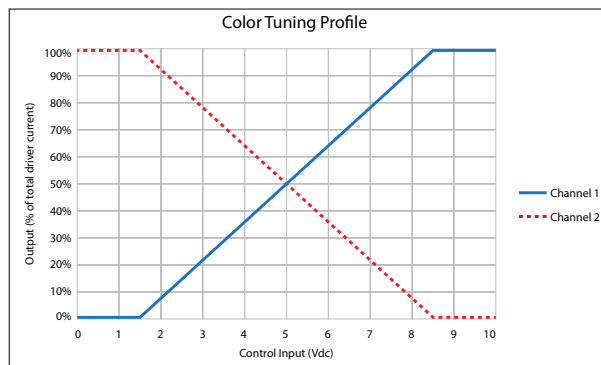


SpectraSync Tunable White luminaires are provided with two 0–10V circuits. The violet and pink circuit is for wiring to any qualified 0–10V controller for dimming. The violet/white and grey/white circuit is for wiring to any qualified 0–10V controller for Tunable White CCT control.

Controller Manufacturer Data

SpectraSync Tunable White was designed to be used with sinking style dimmers (provided by others) and is compatible with:

- NX Lighting Controls Room Controller (NXRC) and In-fixture Controllers (NXFM)
- Lutron: DDTV, DVSTV, and NFTV dimmers
- Wattstopper: ADF120277 and CD4BL (Titan) dimmers



To enable scheduling and for use with NX wall control preset stations please refer to NX SpectraSync technical sheet.

SPECTRASYNCTM AND NX AVAILABILITY TABLE



Size	Lumen package	Only With 80 CRI			Only With 80 CRI		
		No Battery Pack			With Battery Pack		
		CTC	NX	CTC+NX	CTC	NX	CTC+NX
2ft	VW	Y	Y	N	—	—	—
	MW	Y	Y	N	—	—	—
	LW	Y	Y	N	—	—	—
	ML	N	Y	N	—	—	—
	HL	N	Y	N	—	—	—
4ft	XW	Y	Y	Y	Y	Y	Y
	VW	Y	Y	Y	Y	Y	Y
	MW	Y	Y	Y	Y	Y	Y
	LW	Y	Y	Y	Y	Y	Y
	ML	Y	Y	Y	Y	Y	Y
	HL	Y	Y	Y	Y	Y	Y
	VL	N	Y	N	N	Y	N
8ft	XL	N	Y	N	N	Y	N
	XW	Y	Y	Y	Y	Y	Y
	VW	Y	Y	Y	Y	Y	Y
	MW	N	Y	N	N	Y	N
	LW	N	Y	N	N	Y	N
	ML	N	Y	N	N	Y	N
	HL	N	Y	N	N	Y	N
	VL	N	Y	N	N	Y	N
	XL	N	Y	N	N	Y	N



Columbia LIGHTING

MPS

MULTIPURPOSE LINEAR

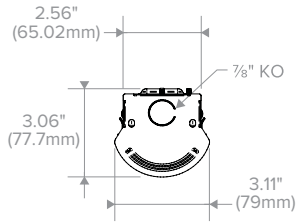
DATE: _____ LOCATION: _____

TYPE: _____ PROJECT: _____

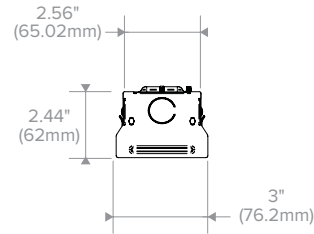
CATALOG #: _____

DIMENSIONS

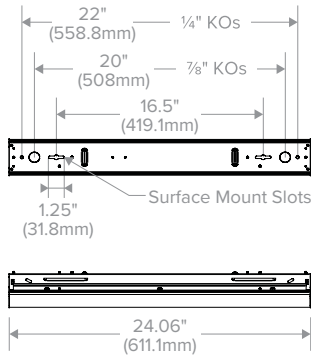
MPS END View - Curve Lens



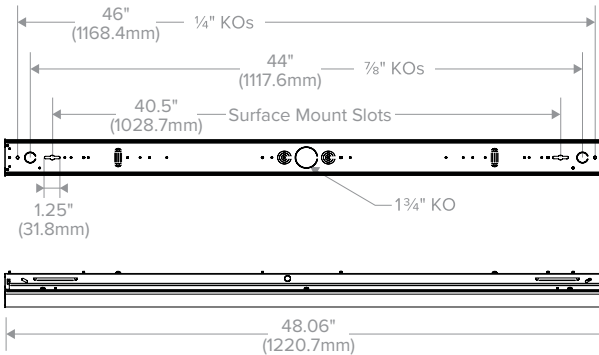
MPS END View - FLAT Lens



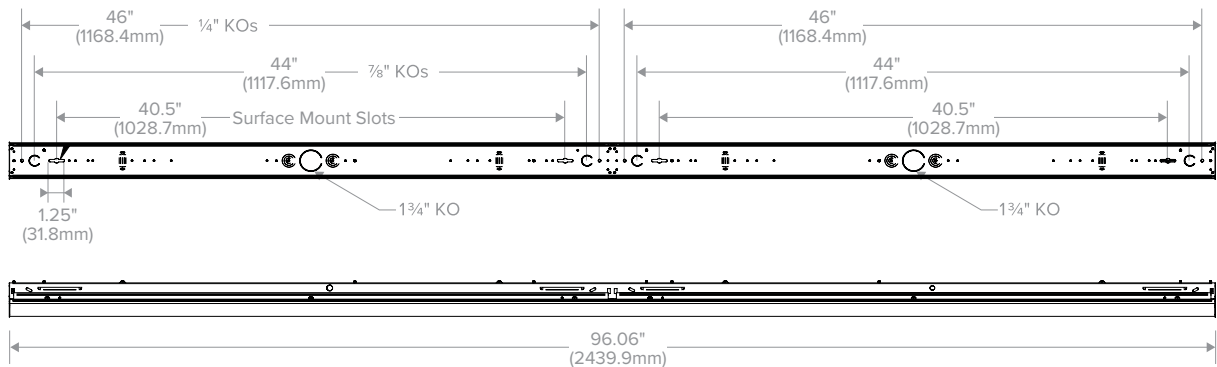
MPS 2' Dimensions



MPS 4' Dimensions



MPS 8' Dimensions





MPS

MULTIPURPOSE LINEAR

DATE: _____ LOCATION: _____

TYPE: _____ PROJECT: _____

CATALOG #: _____

PHOTOMETRY

MPS4-40ML-CN-EDU

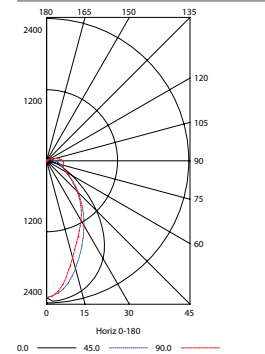
LUMINAIRE DATA

Test No.	21.00769
Description	4' Multi-Purpose Strip-Light w/ Curved, Narrow-Distribution Acrylic Lens
Delivered Lumens	4423
Watts	31.6
Efficacy	140
Mounting	Surface
Spacing Criterion	0° = 1.22 90° = 0.78

ZONAL LUMEN SUMMARY

Zone	Lumens	% Luminaire
0-30	1472	33.3
0-40	2227	50.4
0-60	3359	75.9
0-90	4126	93.3
0-180	4423	100.0

POLAR GRAPH



MPS4-40ML-CW-EDU

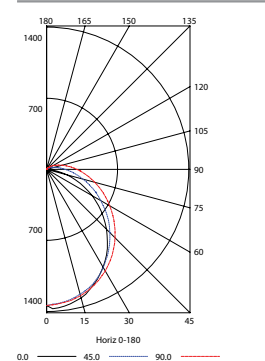
LUMINAIRE DATA

Test No.	21.00759
Description	4' Multi-Purpose Strip-Light w/ Diffuse, Curved Acrylic Lens
Delivered Lumens	4469
Watts	31.6
Efficacy	141
Mounting	Surface
Spacing Criterion	0° = 1.23 90° = 1.28

ZONAL LUMEN SUMMARY

Zone	Lumens	% Luminaire
0-30	1036	23.2
0-40	1693	37.9
0-60	3010	67.4
0-90	4158	93.0
0-180	4469	100.0

POLAR GRAPH



MPS4-40ML-FW-EDU

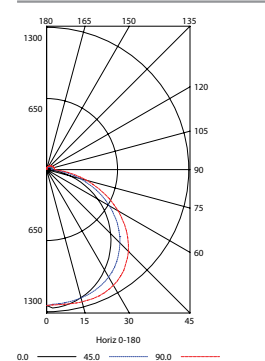
LUMINAIRE DATA

Test No.	21.00779
Description	4' Multi-Purpose Strip-Light w/ Flat, Wide-Distribution Acrylic Lens
Delivered Lumens	4279
Watts	31.6
Efficacy	135
Mounting	Surface
Spacing Criterion	0° = 1.26 90° = 1.45

ZONAL LUMEN SUMMARY

Zone	Lumens	% Luminaire
0-30	1006	23.5
0-40	1684	39.4
0-60	3089	72.2
0-90	4070	95.1
0-180	4279	100.0

POLAR GRAPH



DTS WIRING DIAGRAM (0-10V DIMMING DRIVER SHOWN)

